

# AIRBEAM

POWERFUL · QUIET · SLIM



**Plate mounted axial fans**  
*for through the wall extract*



*Ventilation for the nation*

# AIRBEAM

## Plate mounted axial fans

Superior spec ~ Competitive price

- Sizes 315 to 630mm diameter, with 4, 6 and 8 pole motors available. Most sizes are available from stock.
- Temperature range -30°C up to 70°C.
- Operates up to 100% humidity level. Condensation drain holes as standard.
- Bellmouth wall plate for maximum efficiency. The plate, impellor, motor and guard are finished in black to RAL 9005.
- External rotor motor, insulation class F, IP 54 rating, high temperature thermal cutout protection.
- All fans speed controllable.
- Certified performance to AMCA 210 standard.
- Outlet options include wall shutters with cowl, wall louvre, and louvre box with inbuilt backdraught shutters. The louvre and cowl are powder coat paint finished in light grey to BS 00A05 as standard, other colours readily available.



### Technical Details

Airbeam Model	Fan Speed	Motor kW	FLC 230v	FLC 400v	Max. Operating Temp °C	Speed Controller		SPL dBA @ 3 metres
						Electronic	Transformer	
ABM 315/4-1	1400	0.14	0.67	-	70	V20	T1	54
ABM 355/4-1	1400	0.16	0.76	-	70	V20	T1	56
ABM 355/6-1	900	0.10	0.44	-	70	V20	T1	47
ABM 400/4-1	1400	0.25	1.06	-	70	V20	T1	57
ABM 400/6-1	900	0.12	0.54	-	70	V20	T1	47
ABM 450/4-1	1400	0.45	1.96	-	70	V20	T4	60
ABM 450/6-1	900	0.17	0.74	-	70	V20	T1	52
ABM 450/8-1	700	0.12	0.68	-	70	V20	T1	46
ABM 500/4-1	1400	0.72	3.29	-	50	V65	T4	66
ABM 500/6-1	900	0.29	1.40	-	50	V20	T4	56
ABM 500/8-1	700	0.15	0.75	-	70	V20	T1	48
ABM 560/4-1	1400	0.90	3.67	-	50	V65	T4	66
ABM 560/4-3	1400	1.03	-	1.83	70	SC310 SD	-	66
ABM 560/6-1	900	0.40	1.83	-	70	V20	T4	58
ABM 560/8-1	700	0.24	1.34	-	60	V20	T4	51
ABM 630/4-3	1400	1.23	-	2.13	40	SC310 SD	-	77
ABM 630/6-1	900	0.54	2.40	-	70	V65	T4	58
ABM 630/6-3	900	0.53	-	1.10	50	SC310 SD	-	58
ABM 630/8-1	700	0.28	1.47	-	60	V20	T4	55

### Noise Levels

The noise levels stated are the absolute maximum at full speed in a free air environment.

If lower sound levels are required select an oversized fan and run at low speed using a speed controller. At half speed the reduction in noise level is 15 dB for 4 pole fans, 10 dB for 6 pole fans and 5 dB for 8 pole fans.

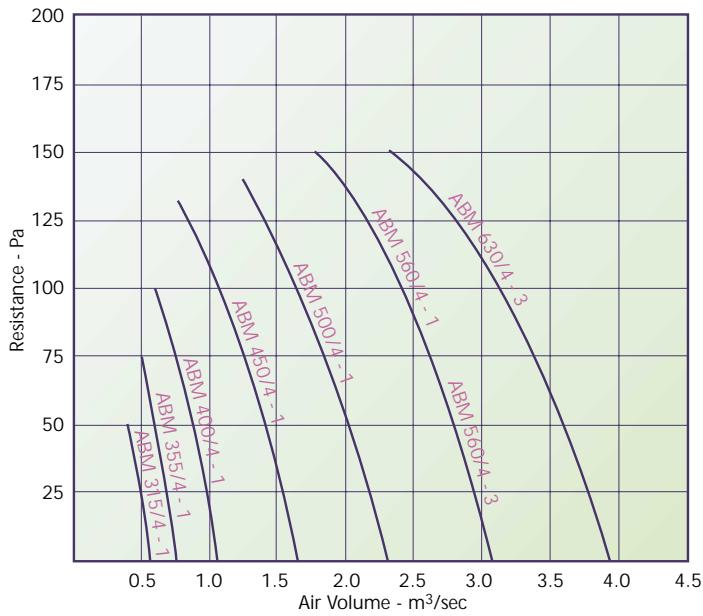
### Automatic fan speed control for 1 phase fans:

- The MS 10 speed controller will operate on 0-10 volt providing automatic fan speed control via a signal from BMS, i.e. air quality or temperature sensor.
- The MS 10T is an electronic temperature controlled fan speed control via a sensor. Controller size 200mm wide, 300mm high x 150mm deep.

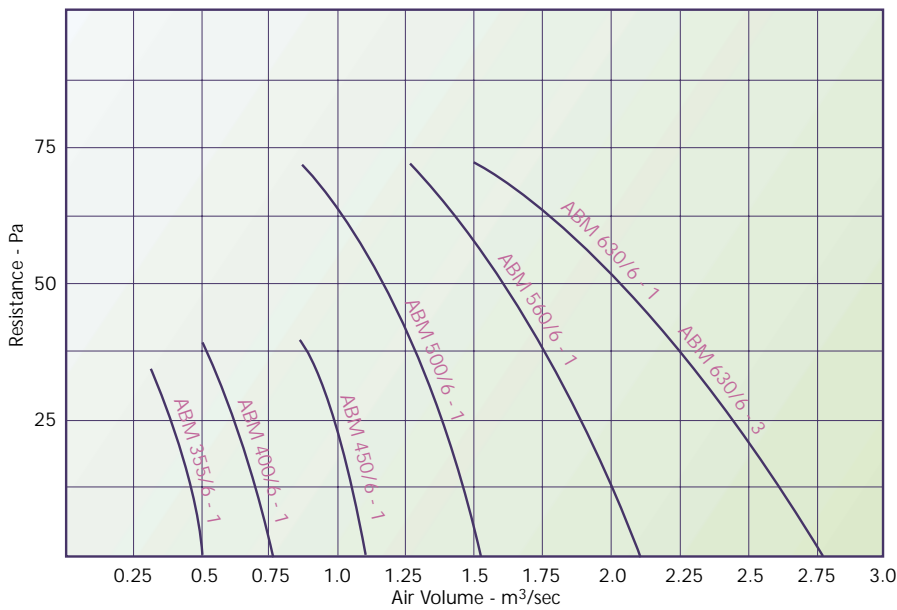
### 3 phase fan speed control:

- The SC310 SD 3 phase speed controller requires the fan to be wired in star/delta connections.

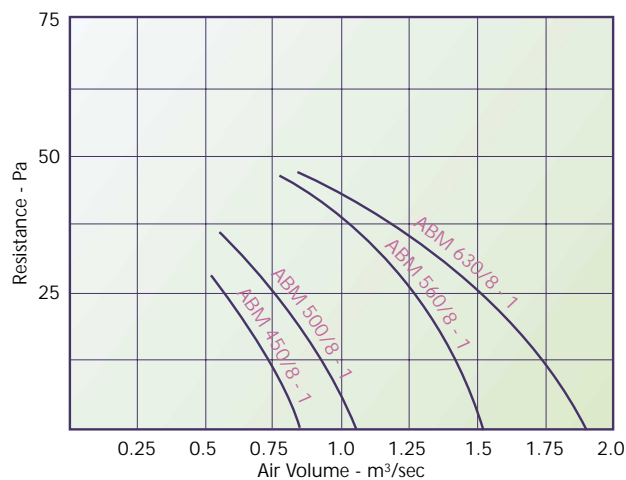
### 4 Pole Units



### 6 Pole Units



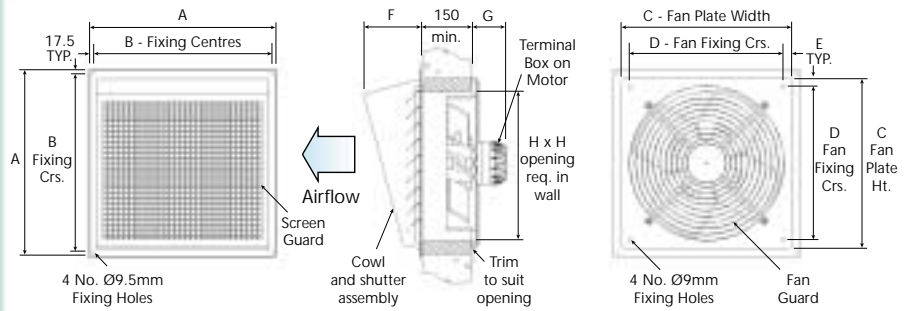
### 8 Pole Units



Note:  
When these fans are used with the VES louvre/shutter outlet, the performance curves should be reduced by 15%.

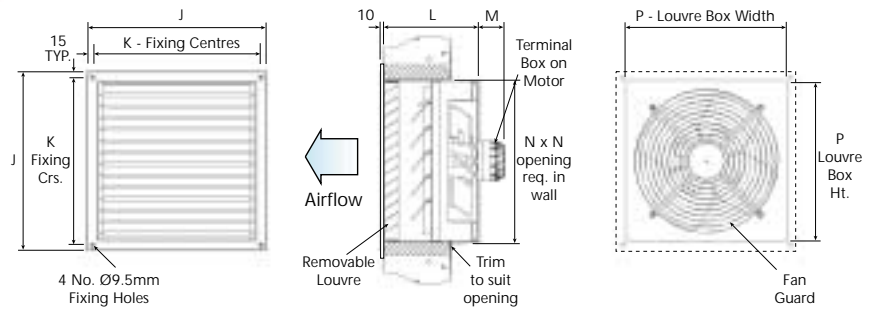
## Dimensions

### Fan with separate wall cowl and shutter assembly



View on outlet cowl    Side view (Sectional)    View on fan inlet

### Fan, shutter and louvre box assembly



View on external louvre    Side view (Sectional)    View on inlet

Airbeam Model	A	B	C	D	E	F	G	H	J	K	L	M	N	P	Weight kg Fan only	Weight kg Cowl & Shutters	Weight kg Fan, Louvre & Shutters
ABM 315/4-1	550	515	430	380	25	220	100	340	545	515	270	100	505	495	12	6	21
ABM 355/4-1	550	515	485	435	25	220	100	395	545	515	270	100	505	495	13	6	23
ABM 355/6-1	550	515	485	435	25	220	100	395	545	515	270	100	505	495	15	6	25
ABM 400/4-1	640	605	540	490	25	230	80	450	635	605	300	80	595	585	10	7	21
ABM 400/6-1	640	605	540	490	25	230	80	450	635	605	300	80	595	585	12	7	23
ABM 450/4-1	640	605	575	535	20	230	100	495	635	605	300	100	595	585	14	7	26
ABM 450/6-1	640	605	575	535	20	230	100	495	635	605	300	100	595	585	16	7	27
ABM 450/8-1	640	605	575	535	20	230	100	495	635	605	300	100	595	585	17	7	28
ABM 500/4-1	720	685	655	615	20	265	100	575	715	685	290	100	675	665	18	9	32
ABM 500/6-1	720	685	655	615	20	265	100	575	715	685	290	100	675	665	19	9	32
ABM 500/8-1	720	685	655	615	20	265	100	575	715	685	290	100	675	665	19	9	33
ABM 560/4-1	790	755	725	675	25	275	80	635	785	755	310	80	745	735	25	11	42
ABM 560/4-3	790	755	725	675	25	275	80	635	785	755	310	80	745	735	25	11	42
ABM 560/6-1	790	755	725	675	25	275	80	635	785	755	310	80	745	735	23	11	40
ABM 560/8-1	790	755	725	675	25	275	80	635	785	755	310	80	745	735	25	11	42
ABM 630/4-3	870	835	805	750	27.5	295	80	710	880	850	310	80	835	825	25	15	42
ABM 630/6-1	870	835	805	750	27.5	295	80	710	880	850	310	80	835	825	25	15	42
ABM 630/6-3	870	835	805	750	27.5	295	80	710	880	850	310	80	835	825	25	15	42
ABM 630/8-1	870	835	805	750	27.5	295	80	710	880	850	310	80	835	825	25	15	42

### Specify fan model:

i.e. ABM 450 / 6 - 1

If cowl and shutters required add / C / BS to fan code

i.e. ABM 450 / 6 - 1 / C / BS

If complete fan, louvre box and shutter assembly required add / L / BS to fan code

i.e. ABM 450 / 6 - 1 / L / BS

Cowl and louvre powdercoat finished light grey to BS 00A05.

If special colour required state requirements eg RAL 9010 or BS 08B17.

Fan, motor and fan plate finished in black RAL 9005.



VES Andover Limited  
Eagle Close, Chandlers Ford Industrial Estate,  
Chandlers Ford, Eastleigh, Hampshire SO53 4NF

Tel: 08702 40 43 40

Fax: 08702 40 45 50

e-mail: vesltd@ves.co.uk

www.ves.co.uk

VES reserve the right to amend product specifications and details without notice.

© 2005 VES Andover Ltd.  
Issue 1 - 12/2005



ISO 9001-2000  
Cert. No. Q5375