

BREEZE Wall Ventilation Units

Installation, Operation and Maintenance Manual

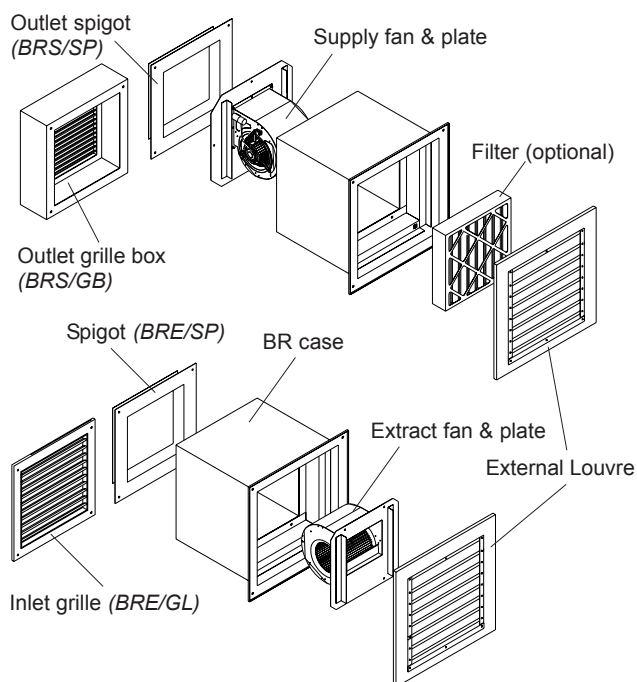


Fig. 1 Unit arrangement (showing inlet/outlet options)

Top: Supply unit (BRS)
Bottom: Extract Unit (BRE)

IMPORTANT !
This manual must be read in full before Installation, Operation and Maintenance of the unit/s supplied

Contents		Page
1	Introduction	1
2	Installation	1
3	Wiring	2
4	Maintenance	3
5	Warranty	4
6	Declaration of Conformity	5

1 Introduction

The BREEZE series is a range of supply and extract wall ventilation units, with a duty range of between 0.11 and 1.2m³/s. The range offers an unobtrusive design, with easy access to fan and filters via the removable louvre. Standard operating temperature of the unit is -20 to +40°C.

For further technical details regarding dimensions and weights contact VES on **08702 404340**, quoting the sales order (SO) number and the unit type as found on the unit nameplate or visit www.ves.co.uk.

2 Installation

The entire system must be considered for safety purposes and it is the responsibility of the installer to ensure that all of the equipment is installed in compliance with the manufacturer's recommendations, with due regard to the current HEALTH AND SAFETY AT WORK ACT and conforms to all relevant statutory regulations. Where a unit is installed so that a failure of components could result in injury to personnel, precautions should be taken to prevent such an injury.

IMPORTANT !
Only experienced fitters should undertake this work. Take necessary safety precautions when working in elevated positions

Immediately upon receipt of goods check for possible damage in transit paying particular attention to fan impellers, louvre, case and fan plates. Prior to installation please check to ensure smooth rotation of the impeller after transit. Also check to ensure that any ancillary items are included. These will normally be supplied fitted or in the case of small items taped to the unit.

In the event of any damage having occurred or if any item is found missing, it is essential to inform VES Andover Ltd. within **7 days** of delivery quoting sales order (SO) number and the unit type as found on the unit nameplate. After this period we will be unable to accept any claim for damaged or missing goods.

It is the installers responsibility to ensure that the safe working access for maintenance is provided in line with Health and Safety and Building Regulations. Consideration must also be given by the installer for adequate illumination of the unit location in order for safe maintenance.

The BREEZE unit is specifically designed for wall mounting. A hole must be cut in the wall to the following dimensions prior to installation:

Unit size	1	2	3	4
Hole size (mm)	320x320	460x460	610x610	710x710

Remove the louvre from the front of the unit by releasing the ¼ turn catches and security bolt (located through the louvre see fig.3) and insert the unit case into the pre cut hole from the outside of the ventilated area.

When moving and installing the unit care should be taken to limit damaging the external finish as this may reduce the ability to resist corrosion.

Push home until the flange is flush against the outside wall, as in fig. 2. Once in position, match drill four fixing holes through the holes in the corners of the flange into the wall and fix into position (fasteners to be supplied by others). A bead of sealant can be run around the join between the wall and flange to ensure full weatherproofing see fig 2. Replace the louvre and filter if fitted and secure into place with the quarter turn catches and security bolt.

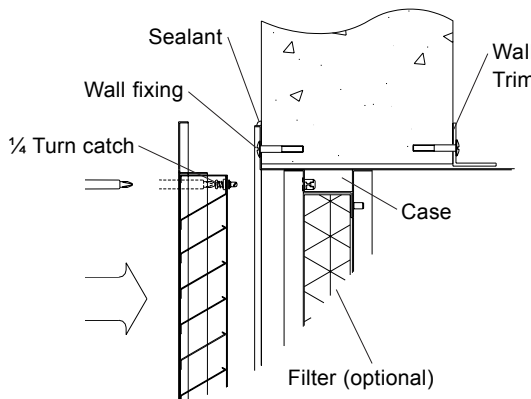


Fig. 2 Fixing detail – louvre removed



BREEZE Wall Ventilation Units

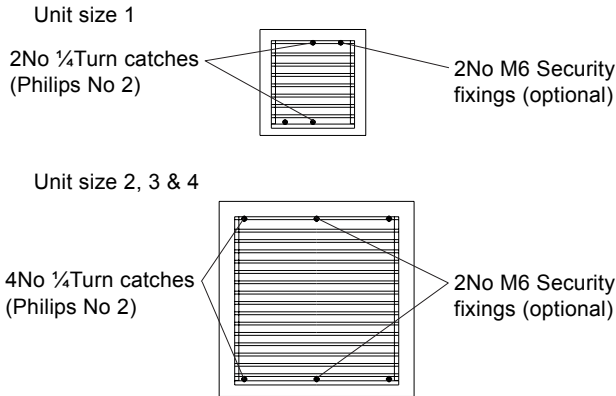
Installation, Operation and Maintenance Manual

IMPORTANT

When replacing the external louvre care should be taken to ensure that the ¼ turn catches are securely fastened and the case receptacles are not in anyway dislodged or damaged.

We recommend that at least one security bolt is installed in the louvre/case assembly.

Fig 3 Louvre fixing details



Once the case is in position the wall trim can be installed internally so as to hide the inner edge of the wall opening. The trim can then be fixed into position as required (fixings to be supplied by others).

For optimum unit performance, careful consideration must be paid to the location of the duct unit in relation to the ductwork and associated items; placing the unit directly adjacent to a bend in ductwork may impede airflow and reduce performance.

Where provided flanges and spigots should not be used to support the ductwork and used solely as a means of ductwork connection.

3 Wiring

BREEZE series contain a double inlet centrifugal fan, acting as either supply or extract units.

All electrical connections to any unit must be carried out in accordance with the current edition of the I.E.E REGULATIONS and only competent electricians should be allowed to affect any electrical work to our units.

IMPORTANT

Do not connect any unit to an electrical supply voltage outside of that indicated on the motor nameplate.

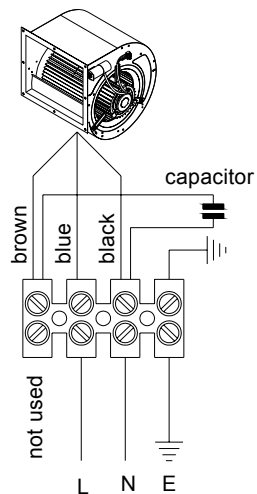
A local isolator must be fitted and mains cables should be suitably sized and terminated as shown in fig 4. Electrical details are shown in fig 5.

To connect the unit to a mains supply a cable entry hole must be made in the case. The position for this is best determined after the unit is secured into place as the site conditions (wall thickness etc) may dictate the appropriate location. The case entry hole should be fitted with an appropriate gland as required.

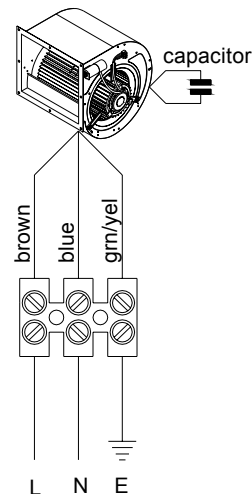
Depending upon the unit configuration, it may be possible to access the fan terminal connection via either the external louvre or the internal spigot/opening. However, should the connection require the unit to be disassembled, care should be taken to ensure correct reassembly and the electrical supply cable should be appropriately secured, away from the fan impeller.

Standard fan wiring arrangement

Fig. 4 240v 1 Ph 50Hz



For Units:
BR111, BR112 & BR213



For Units:
BR214, BR315, BR323, BR324,
BR326, BR425, BR426 & BR427



BREEZE Wall Ventilation Units

Installation, Operation and Maintenance Manual

3 Wiring continued

Fig.5 Electrical Details

Model BRS/BRS	Ves Fan Ref.	Motor Input (W)	FLC* (A)	Fan Speed (rpm)	Supply Voltage
111	AL121	117	0.47	1590	240V 1Ph 50Hz
112	AL221	230	0.96	1365	240V 1Ph 50Hz
213	AL321	330	1.33	1945	240V 1Ph 50Hz
214	AL441	400	1.75	1280	240V 1Ph 50Hz
315	AL541	698	3.33	1380	240V 1Ph 50Hz
323	GZ361	339	1.66	860	240V 1Ph 50Hz
324	GZ461	508	2.40	860	240V 1Ph 50Hz
326	GZ641	1115	4.90	1380	240V 1Ph 50Hz
425	GZ561	775	3.70	860	240V 1Ph 50Hz
426	GZ641	1260	5.55	1380	240V 1Ph 50Hz
427	GZ741	1780	7.70	1380	240V 1Ph 50Hz

4 Maintenance

IMPORTANT !

Before attempting to carry out any work on our units, the unit **MUST BE COMPLETELY ISOLATED** from its electrical supply. Ensure a minimum of two minutes after electrical disconnection before commencing work. This will allow any moving part to come to a rest.

In general, this series of units require very little maintenance. All fan and motor bearings are supplied fully greased, lubricated and sealed for life. In the unlikely event of component failure, spares are available from stock at VES Andover Ltd.

IMPORTANT !

Before attempting to carry out maintenance work or repair work on our units, all accompanying documentation including warning labels on the unit must be referenced

Recommended checks

Check inside the unit for an accumulation of dust, grease etc. If the fan impeller is heavily soiled, clean out carefully (ensure the unit is properly isolated). Failure to do this periodically could lead to a loss of performance or the fan to become out of balance, leading to bearing failure.


Three Monthly Check

BRS supply units usually have a disposable filter fitted behind the louvre (louvre removed by releasing the ¼ turn catches and removing the security bolt if fitted see fig.3.) If the filter is heavily soiled, replace accordingly, spares are available from stock at VES Andover Ltd. Clean the external louvre, bird mesh backing and internal grille (depending on unit configuration) to ensure performance is maintained.

IMPORTANT !

When replacing the external louvre care should be taken to ensure that the ¼ turn catches are securely fastened

WEEE Directive



At the end of their useful life the packaging and product should be disposed of via a suitable recycling centre. Do not dispose of with normal household waste. Do not burn

When enquiring after or ordering spares contact VES Spares Department, quoting the sales order (SO) number and unit type as found on the unit nameplate.

Telephone 08702 40 43 40
Fax 08702 40 45 50



PLEASE ENSURE THAT THIS DOCUMENT IS PASSED ON TO THE END USER.

We reserve the right to alter the specification without notice
©VES Andover Ltd. 2006
No part of this publication may be photocopied or otherwise reproduced without the prior permission in writing of VES Andover Ltd.

File Location: O:O&Ms/Breeze



BREEZE Wall Ventilation Units

Installation, Operation and Maintenance Manual

8 Warranty

Extended Warranties

All VES Andover Products come with a one year guarantee from date of dispatch, which covers parts and labour. You can now extend this with the following options:

Option 1. **FREE extended Warranty**

We can offer you a maintenance agreement that keeps this equipment in tip-top condition.

If you take out this agreement, we will extend the warranty **free of charge for up to 5 years**, providing the regular maintenance agreement remains in place.

Option 2. **12-24 Month Extended Warranty**

12-24 months from the date of dispatch. This can be covered at a cost of just 3% of order value. (minimum charge £50.00).

Option 3. **12-36 Month Extended Warranty**

12-36 months from date of dispatch. For this cover, the charge is 6% of order value (Minimum charge £80)

Please State which option you require when you place your order. A transferable certificate will then be issued to you. *Please note, this offer excludes condensing units. We would be happy to quote you for these separately.*

Register for separate spares reminders and get a 10% discount

Register for this free service and we will automatically send you a regular reminder detailing the consumable spares for this unit, together with their current list prices.

You will then be entitled to a 10% discount off any spares.

To arrange any of these options.

or **Phone: 023 8046 1150**
Email: spares@ves.co.uk

Stating the sales order and reference number from the unit.



BREEZE Wall Ventilation Units

Installation, Operation and Maintenance Manual



Declaration of Conformity

Date: 14th June 2004
Product: BREEZE Wall Ventilation Units
Type: BRE, BRS
Manufacturer: VES Andover Limited

The product above is produced in accordance with EC Council Directives:

98/37/EC (Machinery Directive)
89/336/EEC and amendment 92/31/EEC (Electromagnetic Compatibility Directive)
73/223/EEC and amendment 93/68/EEC (Low Voltage Directive)

The European Harmonised Standards applied are:

BS EN ISO 12100, EN 294, EN61000, EN 60204-1

The National Standards applied in particular are :

BS 848 Part 1

Basis of Self attestation:

Quality Assurance to ISO 9001-2000, BSI Reg. Firm Cert. No. Q5375

Signature of Manufacturer:

Position of Signatory:

Technical Director