




POLO100/150 Bathroom Extract Fans

IMPORTANT

This manual must be read in full before Installation, Operation and Maintenance of the units supplied. Please ensure that this document is passed to the end user. This manual forms an integral part of the product and should be kept for the working life of the product. Additional copies of this and supporting documents are available by contacting VES or by visiting www.ves.co.uk and following the 'Download O & M's' link.

The following symbols used within this document refer to potential dangers or advice for safe operation

-  Indicates hazards associated with electric current and high voltages
-  Indicates hazards that require safety advice for personnel and/or potential unit/property damage
-  Indicates important information

Unit Description

The POLO series is range of axial fans suitable for bathroom extract applications; for full unit details please see the unit specification later in the document.

Immediately upon receipt of your POLO fan, check there is no damage to the fan, and that the four fixing screws and matching wall plugs are included within the ancillary bag.

In the event of any damage having occurred or if any item is found to be missing, it is essential to inform VES Andover Ltd. within 7 days of delivery quoting sales order number and the unit type. After this period, VES would be unable to accept any claim for damaged or missing goods.

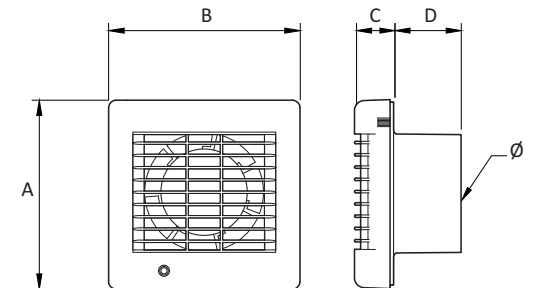
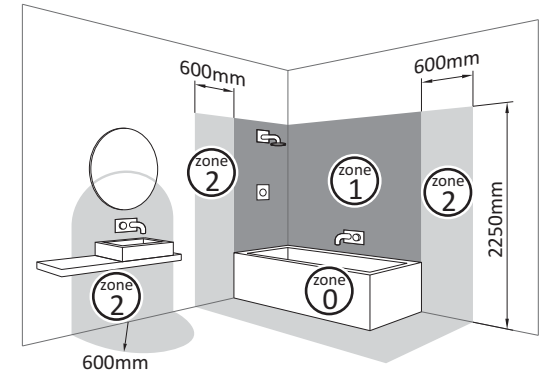
Part Number	Description
POLO100 or 150	Standard extract fan
POLO100 or 150/PC	Fan c/w pull chord
POLO100 or 150/AT	Fan c/w adjustable timer
POLO100 or 150/HM/AT.....	Fan c/w adjustable humidistat & timer
POLO100 or 150/PIR/AT.....	Fan c/w PIR sensor & timer
POLO100 or 150/AS	Fan c/w automatic shutter
POLO100 or 150/AS/AT	Fan c/w auto shutter & timer
POLO100 or 150/AS/HM/AT.....	Fan c/w auto shutter, humidistat & timer
POLO100 or 150/AS/PIR/AT.....	Fan c/w auto shutter, PIR sensor & timer

IMPORTANT

Before attempting to carry out any work on our units, all accompanying documentation including warning labels on the unit must be referenced. Should it be necessary to remove any component ensure that these are secured into position once reinstalled. It is critical that after any maintenance work has been conducted that all components removed /replaced be refitted correctly by a competent engineer.

IMPORTANT

All POLO fans must be sited and installed in accordance with current IEE Regulations BS7671 and the appropriate Building Regulations. POLO fans are suitable for installation in Zone 2 and outside the zoning area (see below) **EXCEPT all HM/AT & AS/HM/AT models which MUST be mounted outside the zoning area.** POLO fans are suitable for wall or ceiling mounting except the PC (pull cord) model which is suitable for wall mounting only. The fan should be installed in conjunction with an appropriate mounting kit and consideration must be given to ensure that access to all moving parts of the fan are restricted when the fan is in use.



Dimensions (mm)	A	B	C	D	Ø
POLO100	156	154	29	55	98
POLO150	209	208	31	69	148

Specification

Power Supply	230V 50Hz
Operating Temperature	0~40°C
Speed (rpm)	2650
Power (W) (POLO100/150)	15/25
Current (A) (POLO100/150)	0.1/0.15
Insulation Class	Double insulated <input type="checkbox"/>
Motor Protection	IPX4 (HM/AT & AS/HM/AT IPX2 only)
Motor Type	Ball bearing

IMPORTANT

Before attempting to carry out any maintenance or repair work on our units, the unit **MUST BE COMPLETELY ISOLATED** from its electrical supply. Ensure a minimum of two minutes after electrical disconnection before attempting access. This will allow any moving parts to come to a rest.

Maintenance

1. Before cleaning, isolate the fan completely from the mains supply.
 2. Carefully remove the front cover
 3. To clean the front cover, either wipe it with a damp, lint free cloth or wash it in warm soapy water. Thoroughly dry the front cover and refit.
 4. Do not immerse the fan in water or other liquids to clean any other parts of the fan.
 5. Never use strong solvents to clean the fan.
 6. Apart from cleaning, no other maintenance is required.
- For replacement fans or install kits please visit www.vesdirect.co.uk

Warranty

The fan is guaranteed against defects for 1 year from the date of purchase. If you have any problems, contact VES at the address shown below.



WEEE Directive

At the end of their useful life the packaging and product should be disposed of via a suitable recycling centre. Do not dispose of with normal household waste. Do not burn.



Standards

All POLO fans conform to all relevant British and European standards and directives. Further information is available from VES Andover Ltd on request

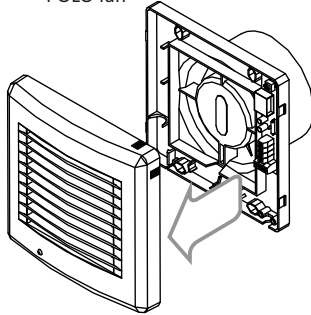


Please ensure that this document is passed on to the end user
We reserve the right to alter the specification without notice ©VES Andover Ltd. 2009. No part of this publication may be photocopied or otherwise reproduced without the prior permission in writing of VES Andover Ltd.

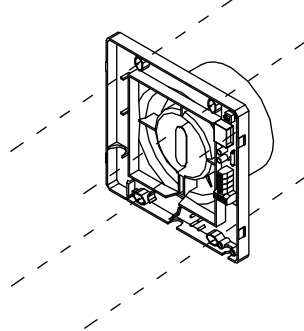


Installation continued

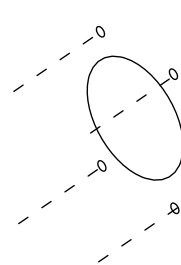
1 Remove cover from POLO fan



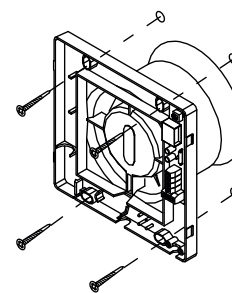
2 Mark centre holes on mounting surface then drill out



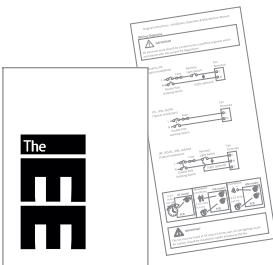
3 Prepare hole in mounting surface & plug mounting holes as required



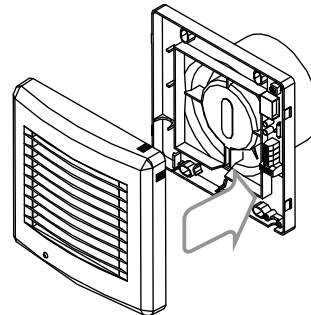
4 Secure fan backing plate to mounting surface



5 Wire the fan as per wiring diagram & instructions



6 Replace front cover

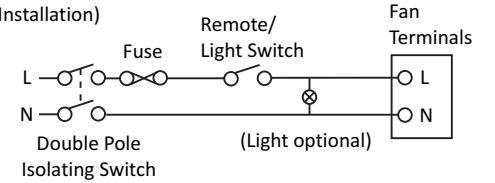


Wiring Diagrams

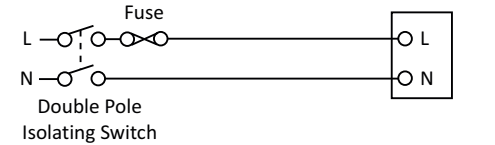
IMPORTANT

All electrical work should be carried out by a qualified engineer and in accordance with the current IEE Regulations

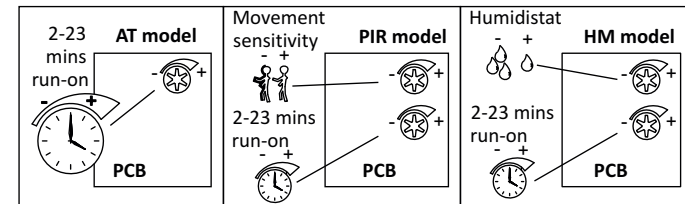
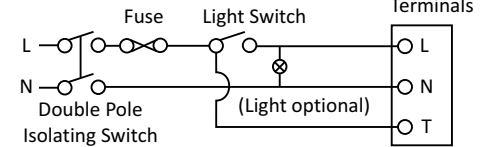
Standard, /AS
(Typical Installation)



/PC, /PIR/AT, /AS/PIR/AT
(Typical Installation)



/AT, /HM/AT, /AS/AT, /AS/HM/AT
(Typical Installation)



IMPORTANT

The fan must be fused at 3A unless it forms part of a 5A lighting circuit. An isolator should be installed to isolate all poles to the fan.