

Colourfan

Extract Acoustic

- ▶ Independent acoustic testing to BS EN ISO 3744:2010
- ▶ Low noise to help meet acoustic requirements, including BB93
- ▶ Wide range of models for ceiling void, plantroom and weatherproof options
- ▶ Fully optimised low energy EC fans
- ▶ Low SFPs to achieve L2 building regulations
- ▶ High quality case construction to BS EN 1886
- ▶ Fitted BlueSense intelligent controls for simple installation
- ▶ BIM files available



DUTIES UP TO
2.8 m³/s



Colourfan[®] Extract Acoustic
*part of a complete range of innovative, flexible products
from the HVAC experts*

Colourfan Extract Acoustic

Colourfan Extract Acoustic

Colourfan is a range of small air handling ventilation units from VES, including supply, extract and twin extract, designed around a single product platform, with unique and innovative benefits across the range. Installation and maintenance is simplified through quick change "Plug & Play" connections or pre-wired fitted controls.

The Colourfan Extract Acoustic is suitable for many installations including schools, offices, libraries, hotels and retail establishments. Designed to fit any application, the units have been independently acoustically tested to BS EN ISO 3744:2010.



Colourfan® Extract Acoustic Features and benefits

Optimum performance
Our quietest extract air handling unit, meeting regulations and maximising performance.

Energy saving packages combine intelligent controls technology, products and services.

Simple installation and maintenance

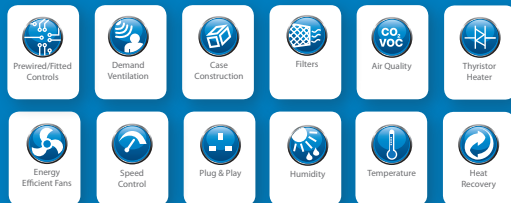
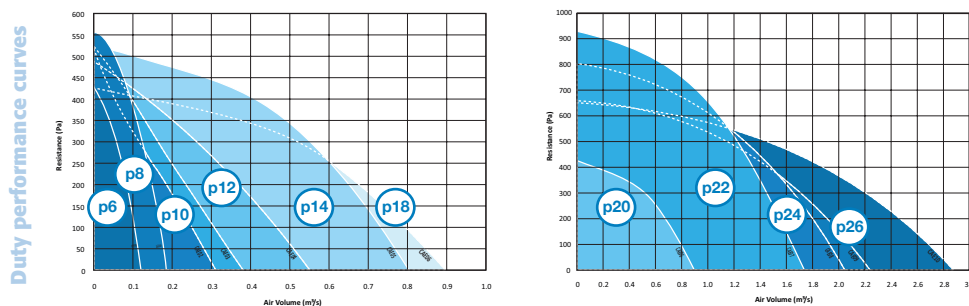
Simple connection and pre-installed features save on site costs and reduce lead times. Carefully designed maintenance features minimise downtime and total cost of ownership.

Versatile options

Versatile location, handing and access options meet the widest range of project requirements.

Robust construction
Excellent build quality ensures minimal noise breakout, low SFPs and airtight performance

Colourfan Extract Acoustic performance



Energy Saving

Intelligent controls enhance performance whilst saving energy and money.

Premium efficiency extract units



Energy efficient

Energy efficient units with low SFPs to help achieve L2 Building Regulations. Units are fully tested to BS EN ISO 5801:2017 (airside performance) and BS EN ISO 3744:2010 (acoustic performance).



Noise reduction

Our quietest extract air handling unit has been independently tested to BS EN ISO 3744:2010 and can help meet acoustic requirements for sensitive applications including BB93; Building Bulletin 93 - School Acoustics.



High performance fans

Backward curve EC fans offering maximum efficiency, minimum energy consumption, fully controllable and ErP2015 compliant.



Complete ventilation package

VES offer the expertise, products and services to provide a complete ventilation package including heat recovery unit, integrated controls and site assistance, providing peace of mind through reliable products and expert knowledge.



Easy connections

Rectangular spigot connections are fitted with a flange, avoiding the need for additional accessories.



Pre-wired isolator

The unit is pre-wired to an isolator package to reduce on site wiring.



Plug & Play fans

Fan motor assembly is internally anti-vibration isolated and fitted with a quick change plug connector for easy maintenance.



Multi access

Plantroom units suitable for top, bottom or side access to fans, left or right access to electrical connections. External units are side access only.



Adjustable mounting feet

Weatherproof units size 0-3 are supplied with adjustable feet for uneven surfaces and sizes 4-10 are supplied on channel bases. Plantroom units can be supplied with optional feet.



Versatile handings

Handings can be left or right hand side to suit site and/or installation requirements.



Section joints

External joining brackets for silencer connections for simple installation of unit and silencer.



Excellent construction

Double skinned cases available in plantroom or weatherproof. All units constructed to BS EN 1886, with 50mm aluminium tubular frame and galvanised sheet steel panels, with high density resin bonded mineral wool slab infill.



Powdercoat options

External units are powder coated Signal Grey to RAL 7004 as standard, with many other colours available.

BlueSense energy saving package



Colourfan Extract Acoustic unit with integral controls



EC fan with full control



Sensor options



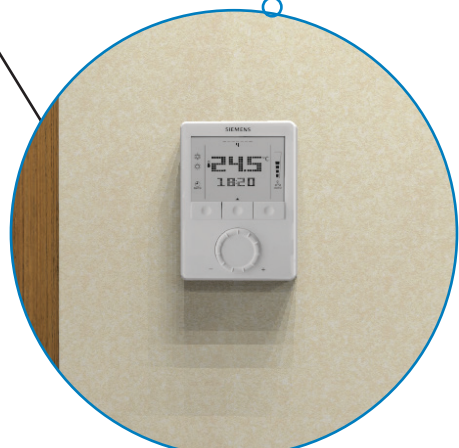
The sign of energy saving products, services and expertise

Colourfan *Extract Acoustic*

Supply, extract
or twin extract
working together

The Colourfan Supply Acoustic unit integrated controls can work seamlessly with any Colourfan Extract Acoustic or Colourfan Twin Extract Acoustic unit. This provides fully protected motor and control signals that can be wired directly to the isolator on the Extract Acoustic or Twin Acoustic unit, reducing the need for any other control requirements and easing site installations.

Small office
application



LCD room unit

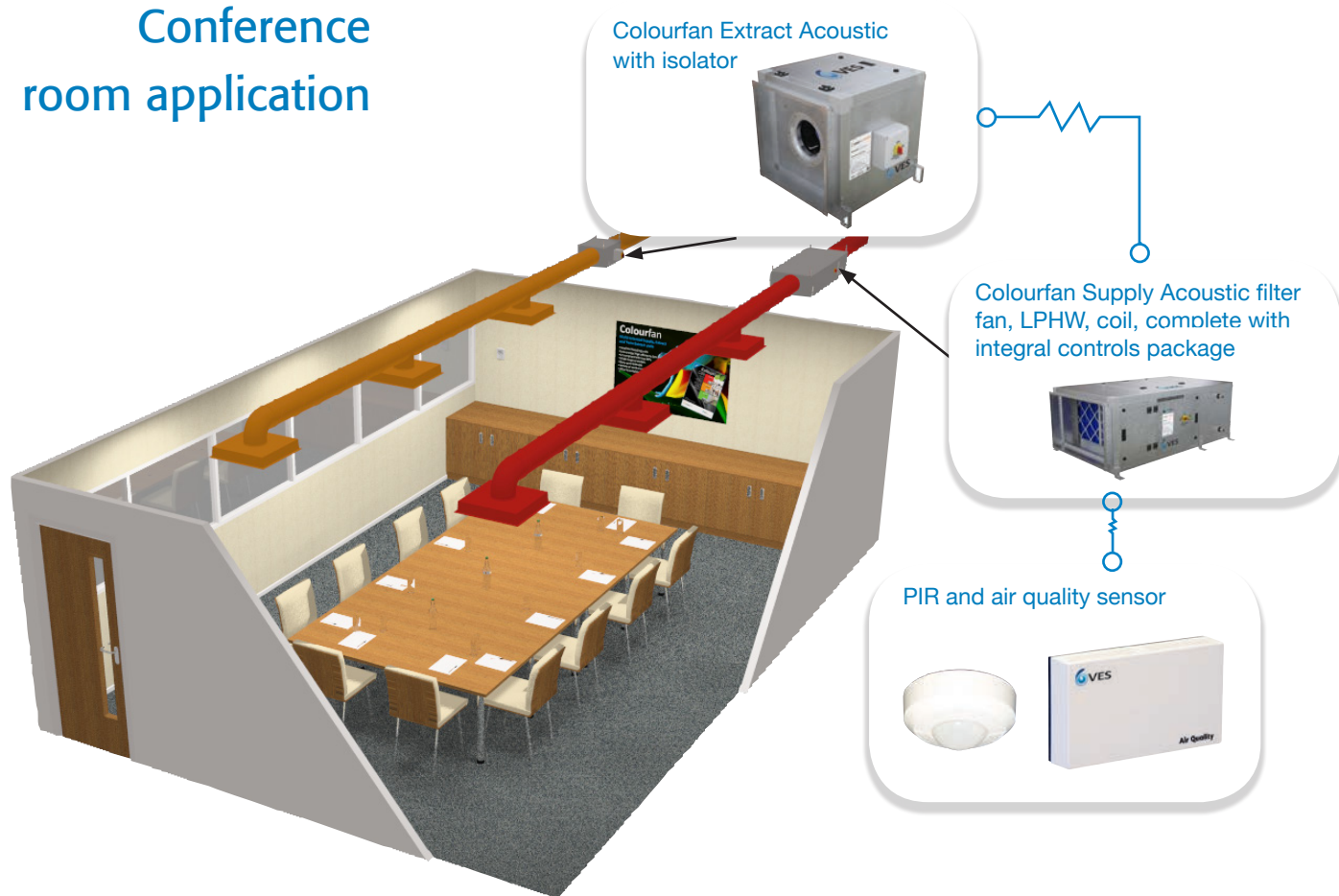
Colourfan BlueSense



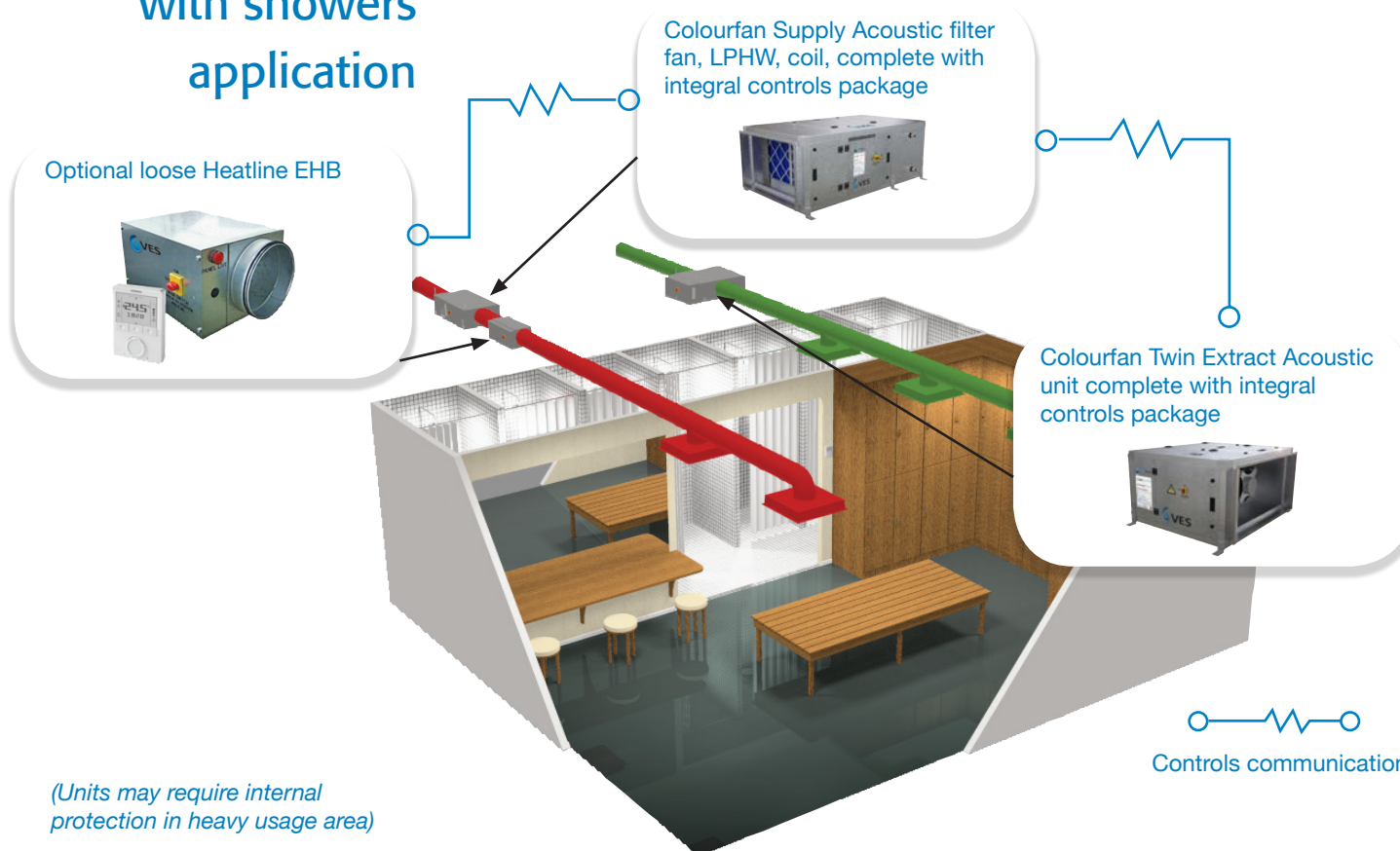
All products in the Colourfan range can form part of the BlueSense energy saving commitment. By specifying a BlueSense package you are ensuring your Supply Acoustic, Extract Acoustic or Twin Acoustic unit is optimised with a pre-wired controls package, energy efficient speed controller and air quality sensor, all programmed to work in unison, reducing energy consumption and saving money.

Premium efficiency extract units

Conference room application



Changing room with showers application



(Units may require internal protection in heavy usage area)

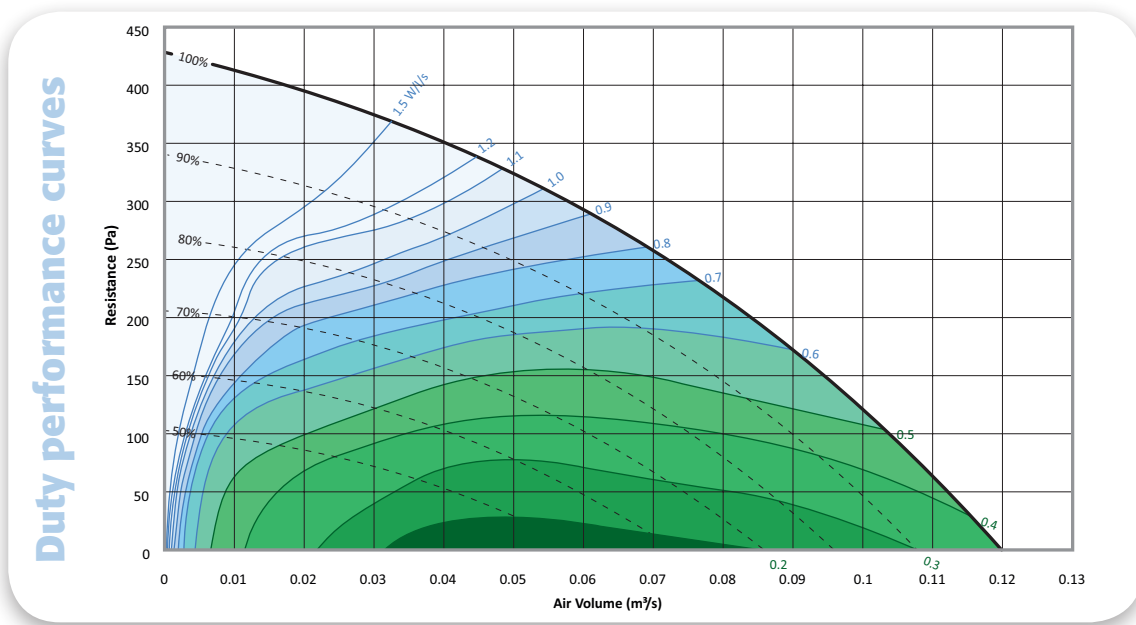
Colourfan Extract Acoustic

Selection data

Unit size 0 CAE0051-1

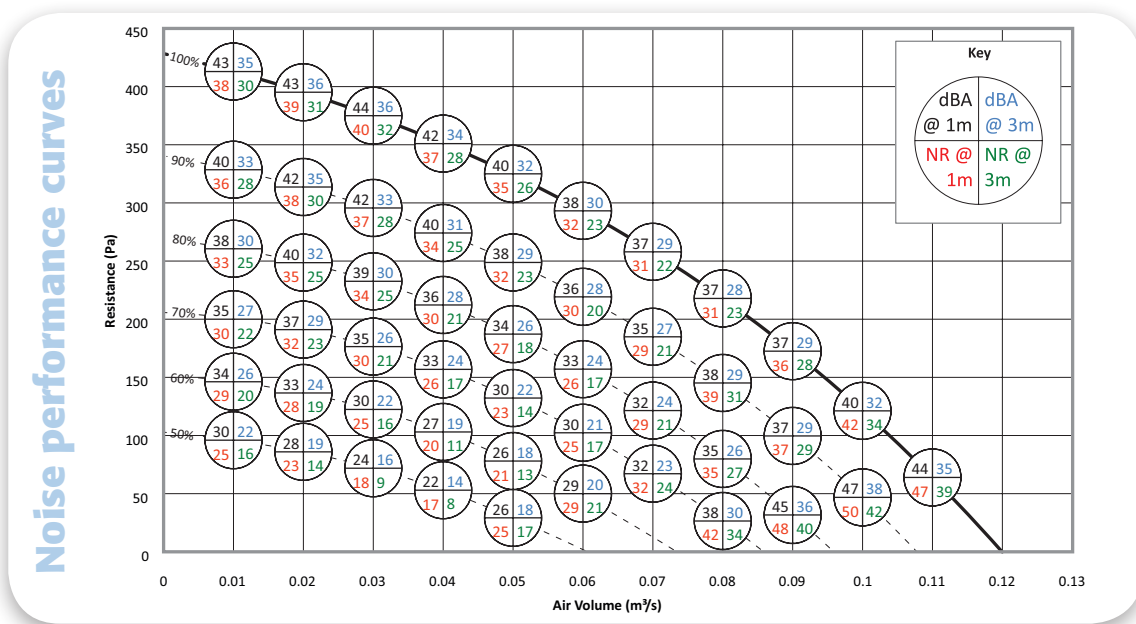
Performance

Size	Phase	Motor Size	Voltage	Fan Speed	Motor Full Load Current	Speed Control
CAE0051-1	1 Phase	0.043 kW	230 VAC	4501 rpm	0.32 A	EC



$$\text{SFP} = \frac{\text{Electrical input power (Watts)}}{\text{Air volume flow rate (litres/second)}}$$

Notes: SFP figures quoted at voltages tested in accordance with BS EN ISO 5801:2017.



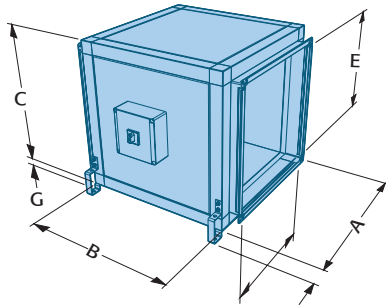
Premium efficiency extract units

Configuration and handling

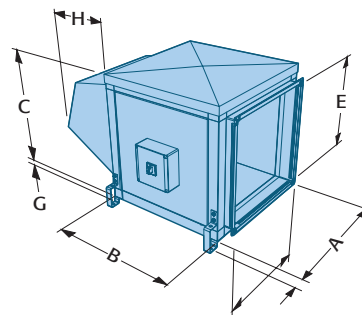
CAE0051-1 / **P** **W** / EE / **LT** **RB** / ISC
RT **LB**

Unit configuration

P Plantroom



W Weatherproof



Unit type	Dimensions (mm)								Weight (kg)	Configuration options					
	A	B	C	D	E	F	G	H		LT	LB	RT	RB	L	R
CAE0 Plantroom extract	340	340	340	240	240	50	25		22	✓	✓	✓	✓		
CAE0 Weatherproof extract	340	340	350	240	240	50	25	200	25					✓	✓

Noise and silencer data

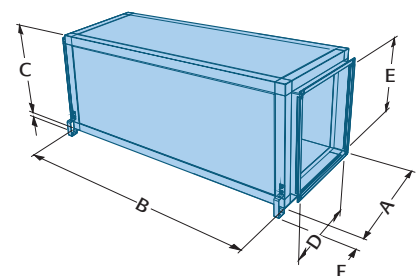
Fan voltage	Fan speed (RPM)	Sound spectrum dB re 10 ⁻¹² w PWL centre frequency (Hz)								Casting noise breakdown			
		63	125	250	500	1k	2k	4k	8k	NR @ 1m	NR @ 3m	dBA @ 1m	dBA @ 3m
100%	4501	66	53	57	48	38	41	54	47	47	39	43	35
90%	4050	63	58	49	45	36	37	33	34	29	21	35	27
80%	3500	61	56	47	42	33	34	30	30	26	17	33	24
70%	3150	59	54	44	39	30	31	26	27	23	14	30	22
60%	2700	56	51	42	36	27	28	23	24	20	11	27	19
50%	2250	52	47	39	34	23	24	19	20	18	09	24	16
Centre frequency						63	125	250	500	1k	2k	4k	8k
Case insertion loss						-3	-5	-14	-19	-26	-22	-22	-15

Note: Independently acoustically tested to BS EN ISO 3744:2010.

Silencer option	Sound spectrum dB re 10 ⁻¹² w PWL centre frequency (Hz)							
CAEVA0000/1200	63	125	250	500	1k	2k	4k	8k
Induct loss	-6	-8	-12	-19	-28	-30	-24	-21
Dimensions (mm)	A	B	C	D	E	F	G	Weight (kg)
Plantroom CAEVA0000/1200/STD	340	1300	340	240	240	50	25	46
Weatherproof CAEVA0000/1200/W/STD	340	1300	360	240	240	50	25	55

Note: The silencer will add a maximum of 8 Pa to the external resistance.

Silencer



Note: Data for design guidance only. Detailed information is available upon request.

SIZE 0 - CAE0051-1

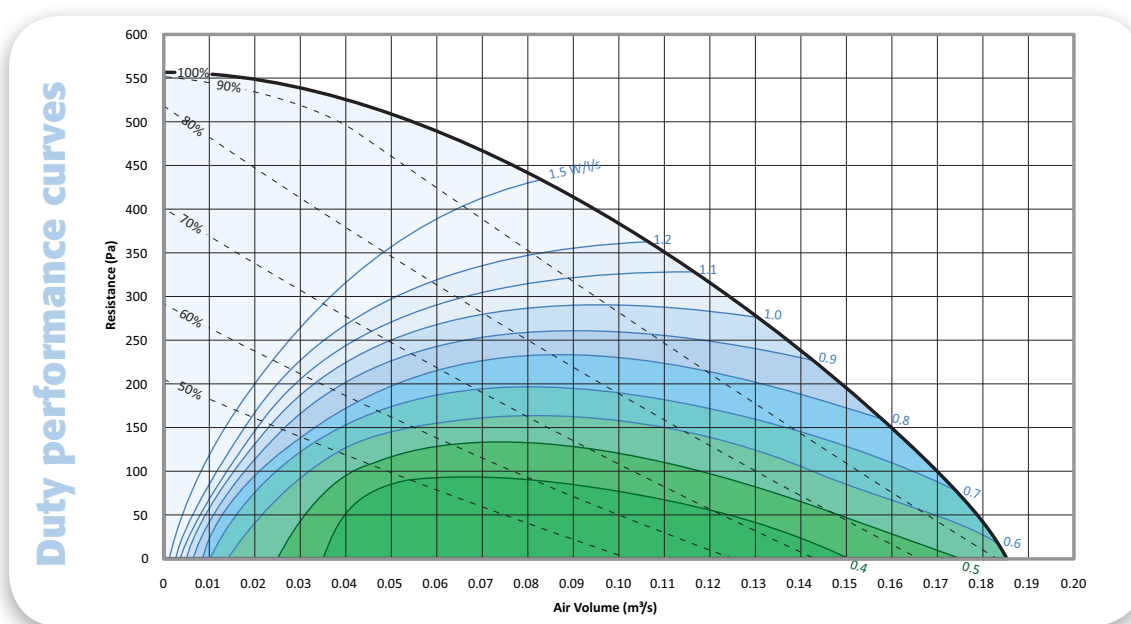
Colourfan Extract Acoustic

Selection data

Unit size 1 CAE0141-1

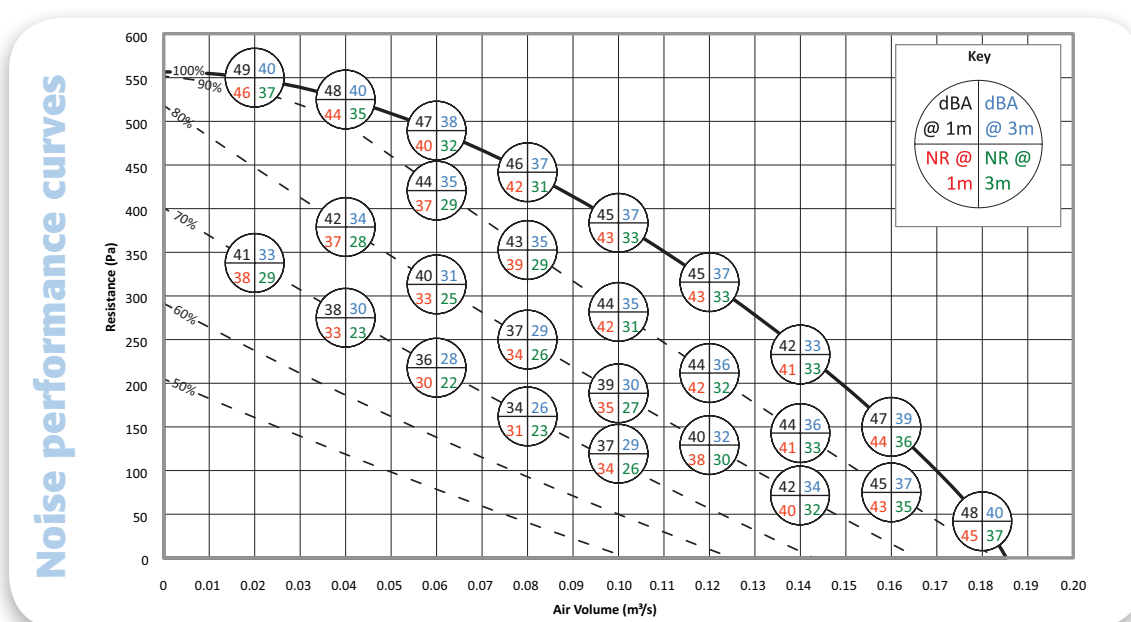
Performance

Size	Phase	Motor Size	Voltage	Fan Speed	Motor Full Load Current	Speed Control
CAE0141-1	1 Phase	0.12 kW	230 VAC	3490 rpm	0.68 A	EC



$$\text{SFP} = \frac{\text{Electrical input power (Watts)}}{\text{Air volume flow rate (litres/second)}}$$

Notes: SFP figures quoted at voltages tested in accordance with BS EN ISO 5801:2017.



Note: NR levels are dependent upon environmental conditions.

Tolerances:
 On flow rates: +/-5%
 On acoustic power and pressure: Levels: +/-0.3dB
 By octave band: +/-0.5dB

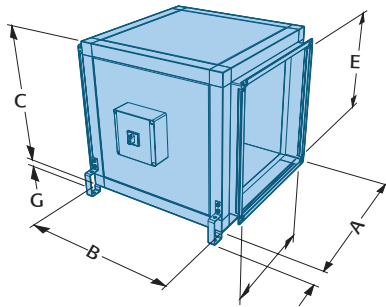
Premium efficiency extract units

Configuration and handling

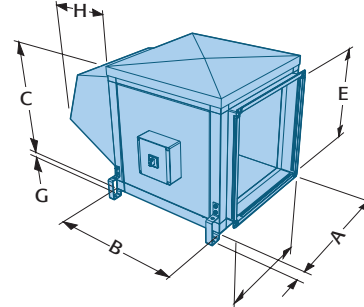
CAE0141-1 / **P** **W** / EE / **LT** **RB** / ISC
RT **LB**

Unit configuration

P Plantroom



W Weatherproof



Unit type	Dimensions (mm)								Weight (kg)	Configuration options					
	A	B	C	D	E	F	G	H		LT	LB	RT	RB	L	R
CAE1 Plantroom extract	440	440	440	340	340	50	25		32	✓	✓	✓	✓		
CAE1 Weatherproof extract	440	440	465	340	340	50	25	200	36					✓	✓

Noise and silencer data

Fan voltage	Fan speed (RPM)	Sound spectrum dB re 10 ⁻¹² w PWL centre frequency (Hz)								Casting noise breakdown			
		63	125	250	500	1k	2k	4k	8k	NR @ 1m	NR @ 3m	dBA @ 1m	dBA @ 3m
100%	3490	80	66	63	57	50	55	51	52	46	38	49	41
90%	3141	84	62	55	48	41	48	45	46	44	36	47	38
80%	2792	65	60	50	42	35	43	41	38	34	26	37	29
70%	2443	56	53	40	35	30	41	38	29	33	23	38	30

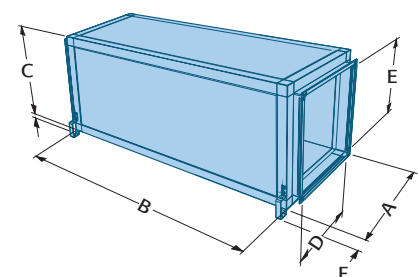
Centre frequency	63	125	250	500	1k	2k	4k	8k
Case insertion loss	-3	-5	-14	-19	-26	-22	-22	-15

Note: Independently acoustically tested to BS EN ISO 3744:2010.

Silencer option	Sound spectrum dB re 10 ⁻¹² w PWL centre frequency (Hz)							
	63	125	250	500	1k	2k	4k	8k
CAEVA0100/1200	63	125	250	500	1k	2k	4k	8k
Induct loss	-6	-8	-12	-19	-28	-30	-24	-21
Dimensions (mm)	A	B	C	D	E	F	G	Weight (kg)
Plantroom CAEVA0100/1200/STD	440	1300	440	340	340	50	25	60
Weatherproof CAEVA0100/1200/W/STD	440	1300	465	340	340	50	25	70

Note: The silencer will add a maximum of 17 Pa to the external resistance.

Silencer



SIZE 1 - CAE0141-1

Note: Data for design guidance only. Detailed information is available upon request.

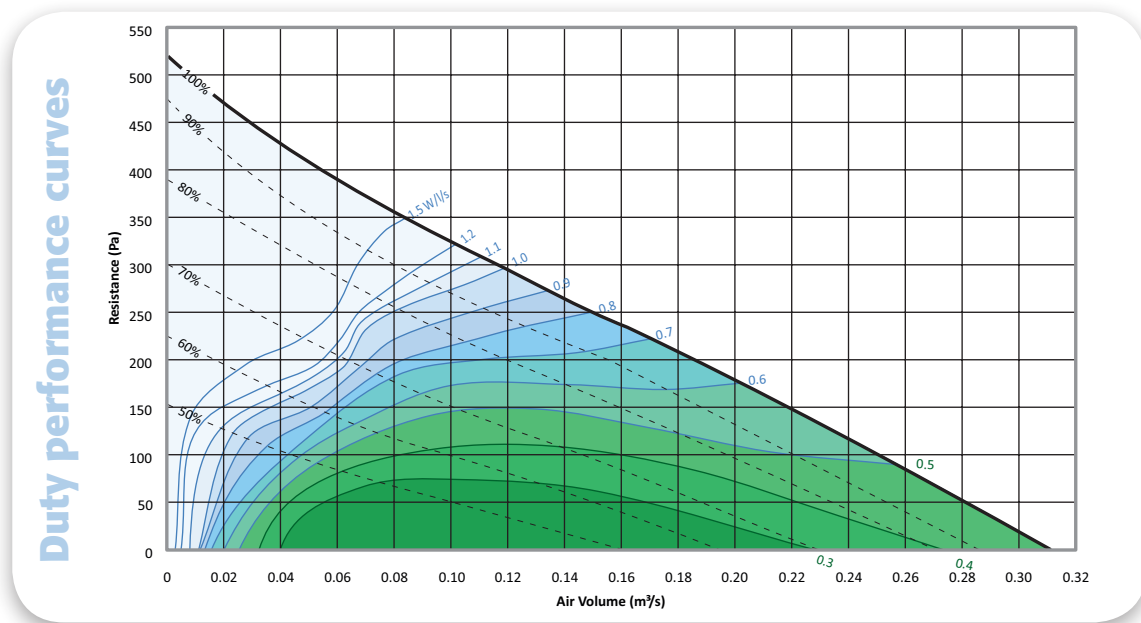
Colourfan Extract Acoustic

Selection data

Unit size 2 CAE0242-1

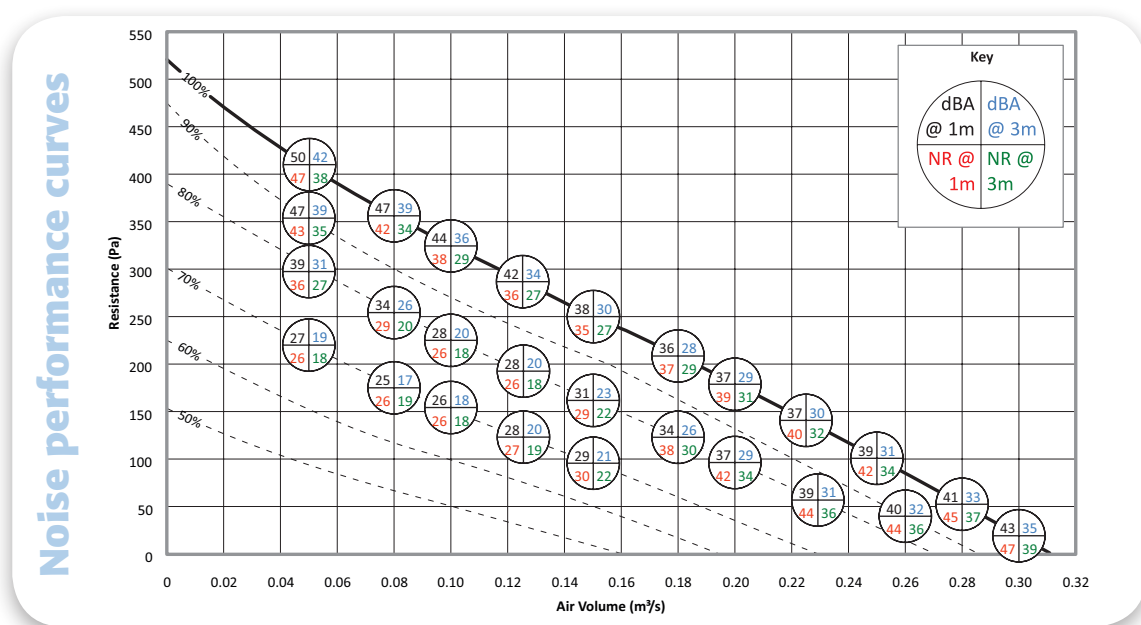
Performance

Size	Phase	Motor Size	Voltage	Fan Speed	Motor Full Load Current	Speed Control
CAE0242-1	1 Phase	0.14 kW	230 VAC	3240 rpm	0.78 A	EC



$$\text{SFP} = \frac{\text{Electrical input power (Watts)}}{\text{Air volume flow rate (litres/second)}}$$

Notes: SFP figures quoted at voltages tested in accordance with BS EN ISO 5801:2017.



Note: NR levels are dependent upon environmental conditions.

Tolerances:
 On flow rates: $\pm 1.5\%$
 On acoustic power and pressure: Levels: $\pm 0.3\text{dB}$
 By octave band: $\pm 0.5\text{dB}$

Note: Data for design guidance only. Detailed information is available upon request.

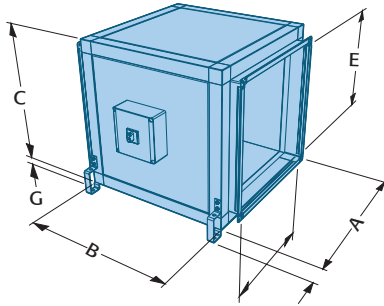
Premium efficiency extract units

Configuration and handling

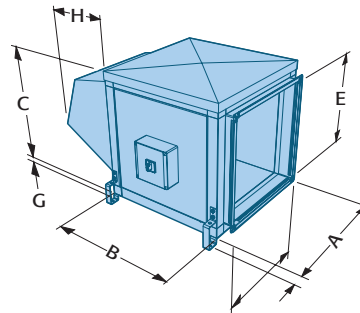
CAE0242-1 / **P** **W** / EE / **LT** **RB** / ISC
RT **LB**

Unit configuration

P Plantroom



W Weatherproof



Unit type	Dimensions (mm)								Weight (kg)	Configuration options					
	A	B	C	D	E	F	G	H		LT	LB	RT	RB	L	R
CAE2 Plantroom extract	500	500	500	400	400	50	25		39	✓	✓	✓	✓		
CAE2 Weatherproof extract	500	500	525	400	400	50	25	250	44					✓	✓

Noise and silencer data

Fan voltage	Fan speed (RPM)	Sound spectrum dB re 10 ⁻¹² w PWL centre frequency (Hz)								Casting noise breakdown			
		63	125	250	500	1k	2k	4k	8k	NR @ 1m	NR @ 3m	dBA @ 1m	dBA @ 3m
100%	3240	72	60	50	44	38	41	36	41	35	27	38	30
90%	2916	66	58	48	41	33	38	33	36	30	23	34	26
80%	2592	55	50	43	34	27	33	31	31	26	18	28	20
70%	2268	50	52	29	26	16	30	19	32	26	19	25	17

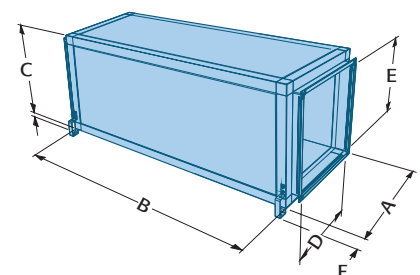
Centre frequency	63	125	250	500	1k	2k	4k	8k
Case insertion loss	-3	-5	-14	-19	-26	-22	-22	-15

Note: Independently acoustically tested to BS EN ISO 3744:2010.

Silencer option	Sound spectrum dB re 10 ⁻¹² w PWL centre frequency (Hz)							
	63	125	250	500	1k	2k	4k	8k
CAEVA0200/1200	63	125	250	500	1k	2k	4k	8k
Induct loss	-6	-8	-12	-19	-28	-30	-24	-21
Dimensions (mm)	A	B	C	D	E	F	G	Weight (kg)
Plantroom CAEVA0200/1200/STD	500	1300	500	400	400	50	25	70
Weatherproof CAEVA0200/1200/W/STD	500	1300	525	400	400	50	25	80

Note: The silencer will add a maximum of 25 Pa to the external resistance.

Silencer



SIZE 2 - CAE0242-1

Note: Data for design guidance only. Detailed information is available upon request.

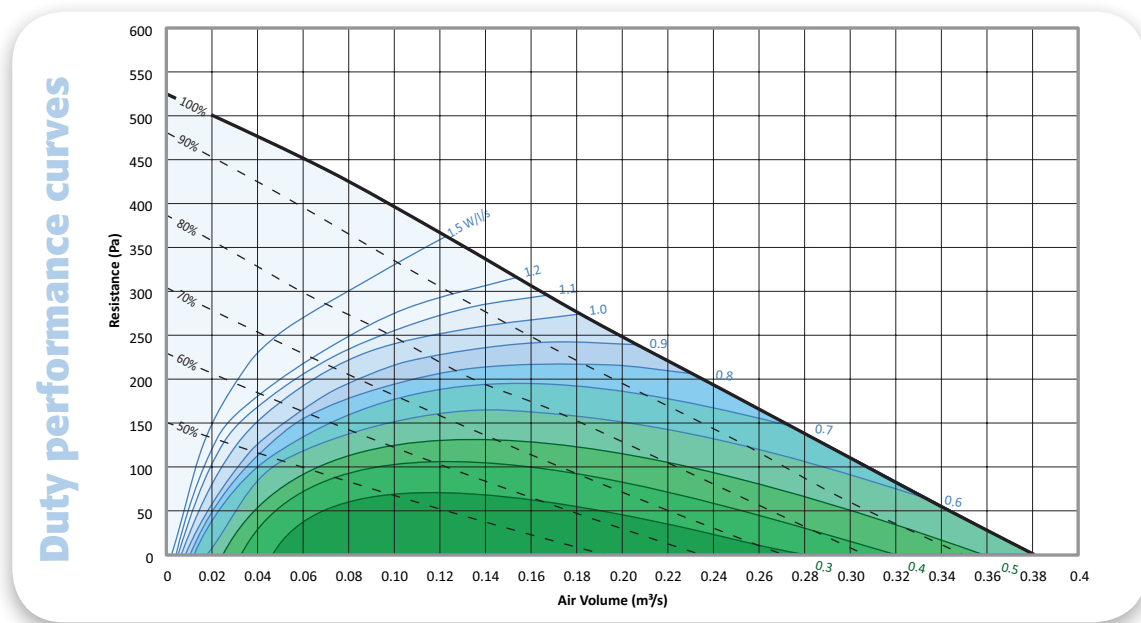
Colourfan Extract Acoustic

Selection data

Unit size 3 CAE0343-1

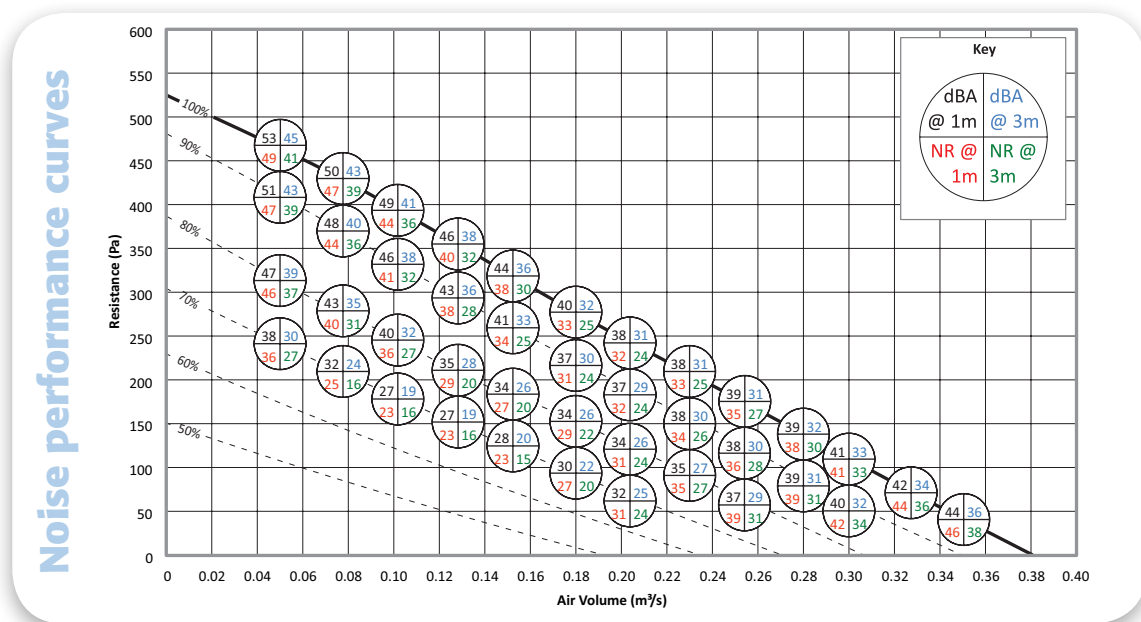
Performance

Size	Phase	Motor Size	Voltage	Fan Speed	Motor Full Load Current	Speed Control
CAE0343-1	1 Phase	0.23 kW	230 VAC	3290 rpm	1.2 A	EC



$$\text{SFP} = \frac{\text{Electrical input power (Watts)}}{\text{Air volume flow rate (litres/second)}}$$

Notes: SFP figures quoted at voltages tested in accordance with BS EN ISO 5801:2017.



Note: NR levels are dependent upon environmental conditions.

Tolerances:
 On flow rates: $\pm 1.5\%$
 On acoustic power and pressure: Levels: $\pm 0.3\text{dB}$
 By octave band: $\pm 0.5\text{dB}$

Note: Data for design guidance only. Detailed information is available upon request.

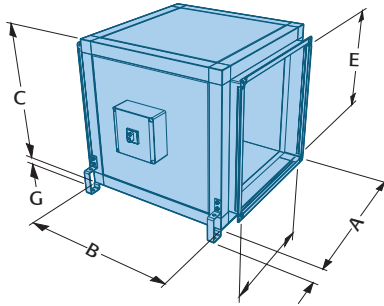
Premium efficiency extract units

Configuration and handling

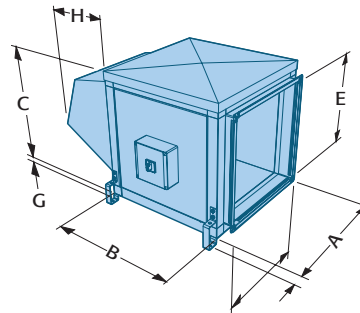
CAE0343-1 / **P** **W** / EE / **LT** **RB** / ISC
RT **LB**

Unit configuration

P Plantroom



W Weatherproof



Unit type	Dimensions (mm)								Weight (kg)	Configuration options					
	A	B	C	D	E	F	G	H		LT	LB	RT	RB	L	R
CAE3 Plantroom extract	550	550	550	450	450	50	25		45	✓	✓	✓	✓		
CAE3 Weatherproof extract	550	550	575	450	450	50	25	300	55					✓	✓

Noise and silencer data

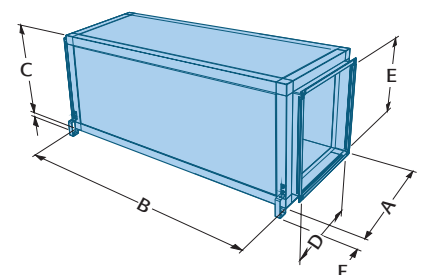
Fan voltage	Fan speed (RPM)	Sound spectrum dB re 10 ⁻¹² w PWL centre frequency (Hz)								Casting noise breakdown			
		63	125	250	500	1k	2k	4k	8k	NR @ 1m	NR @ 3m	dBA @ 1m	dBA @ 3m
100%	3290	69	62	53	48	40	42	37	38	32	24	38	31
90%	2961	67	62	51	44	38	40	36	38	31	24	37	30
80%	2632	69	57	47	40	38	35	32	33	27	20	34	26
70%	2303	61	51	40	34	25	27	25	29	23	15	28	20
Centre frequency						63	125	250	500	1k	2k	4k	8k
Case insertion loss						-3	-5	-14	-19	-26	-22	-22	-15

Note: Independently acoustically tested to BS EN ISO 3744:2010.

Silencer option	Sound spectrum dB re 10 ⁻¹² w PWL centre frequency (Hz)							
	63	125	250	500	1k	2k	4k	8k
CAEVA0300/1200	63	125	250	500	1k	2k	4k	8k
Induct loss	-6	-8	-12	-19	-28	-30	-24	-21
Dimensions (mm)	A	B	C	D	E	F	G	Weight (kg)
Plantroom CAEVA0300/1200/STD	550	1300	550	450	450	50	25	75
Weatherproof CAEVA0300/1200/W/STD	550	1300	575	450	450	50	25	85

Note: The silencer will add a maximum of 30 Pa to the external resistance.

Silencer



SIZE 3 - CAE0343-1

Note: Data for design guidance only. Detailed information is available upon request.

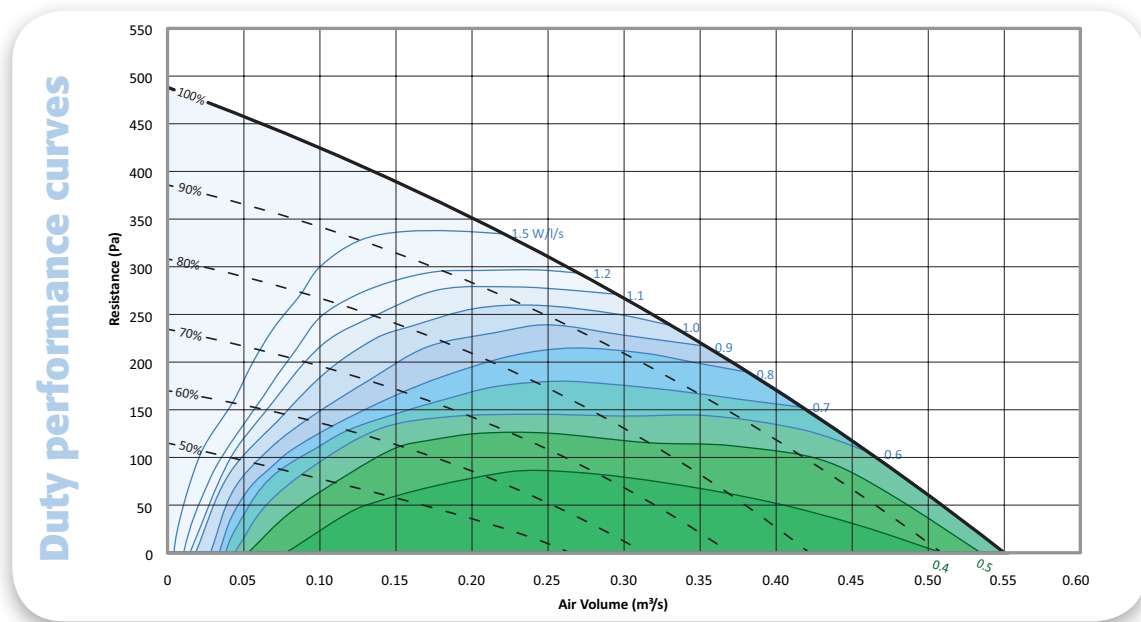
Colourfan Extract Acoustic

Selection data

Unit size 4 CAE0444-1

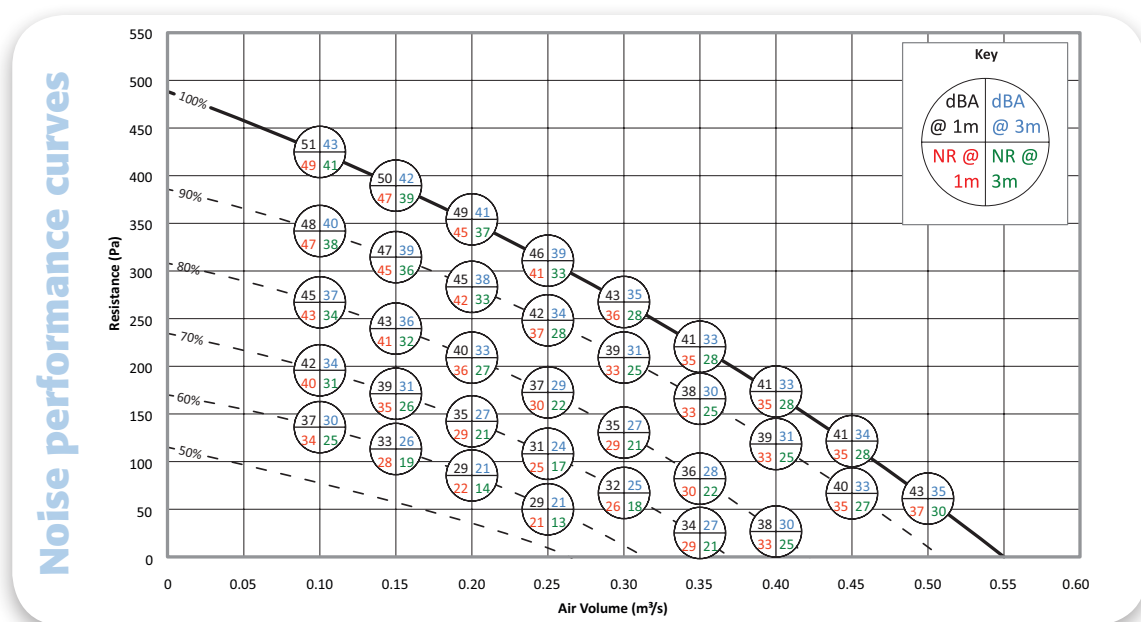
Performance

Size	Phase	Motor Size	Voltage	Fan Speed	Motor Full Load Current	Speed Control
CAE0444-1	1 Phase	0.32 kW	230 VAC	2270 rpm	1.2 A	EC



$$\text{SFP} = \frac{\text{Electrical input power (Watts)}}{\text{Air volume flow rate (litres/second)}}$$

Notes: SFP figures quoted at voltages tested in accordance with BS EN ISO 5801:2017.



Note: NR levels are dependent upon environmental conditions.

Tolerances:
 On flow rates: $\pm 1.5\%$
 On acoustic power and pressure: Levels: $\pm 1.3\text{dB}$
 By octave band: $\pm 1.5\text{dB}$

Note: Data for design guidance only. Detailed information is available upon request.

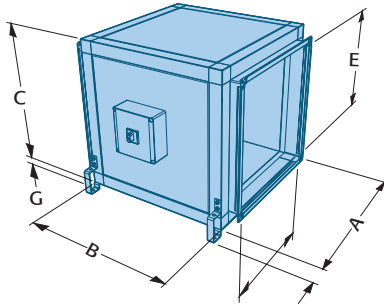
Premium efficiency extract units

Configuration and handling

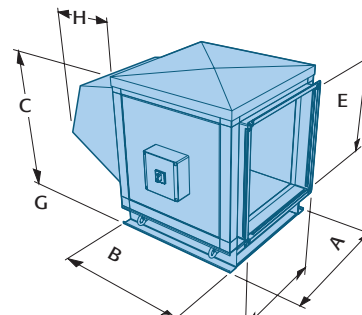
CAE0444-1 / **P** **W** / EE / **LT** **RB** / ISC
RT **LB**

Unit configuration

P Plantroom



W Weatherproof



Unit type	Dimensions (mm)								Weight (kg)	Configuration options					
	A	B	C	D	E	F	G	H		LT	LB	RT	RB	L	R
CAE4 Plantroom extract	600	600	600	500	500	50	25		55	✓	✓	✓	✓		
CAE4 Weatherproof extract	600	600	725	500	500			350	70					✓	✓

Noise and silencer data

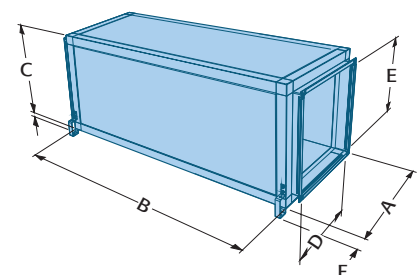
Fan voltage	Fan speed (RPM)	Sound spectrum dB re 10 ⁻¹² w PWL centre frequency (Hz)								Casting noise breakdown			
		63	125	250	500	1k	2k	4k	8k	NR @ 1m	NR @ 3m	dBA @ 1m	dBA @ 3m
100%	2270	72	67	59	53	43	46	41	39	36	28	43	35
90%	2043	73	67	57	50	40	43	38	36	37	28	42	34
80%	1816	68	62	53	46	37	39	34	32	30	22	37	29
70%	1589	67	61	51	42	33	35	29	26	29	21	35	27
60%	1362	68	60	47	38	29	31	24	20	28	19	33	26
Centre frequency						63	125	250	500	1k	2k	4k	8k
Case insertion loss						-3	-5	-14	-19	-26	-22	-22	-15

Note: Independently acoustically tested to BS EN ISO 3744:2010.

Silencer option	Sound spectrum dB re 10 ⁻¹² w PWL centre frequency (Hz)							
	63	125	250	500	1k	2k	4k	8k
CAEVA0400/1200	63	125	250	500	1k	2k	4k	8k
Induct loss	-6	-8	-12	-19	-28	-30	-24	-21
Dimensions (mm)	A	B	C	D	E	F	G	Weight (kg)
Plantroom CAEVA0400/1400/STD	600	1300	600	500	500	50	25	85
Weatherproof CAEVA0400/1400/W/STD	600	1300	725	500	500			105

Note: The silencer will add a maximum of 18 Pa to the external resistance.

Silencer



SIZE 4 - CAE0444-1

Note: Data for design guidance only. Detailed information is available upon request.

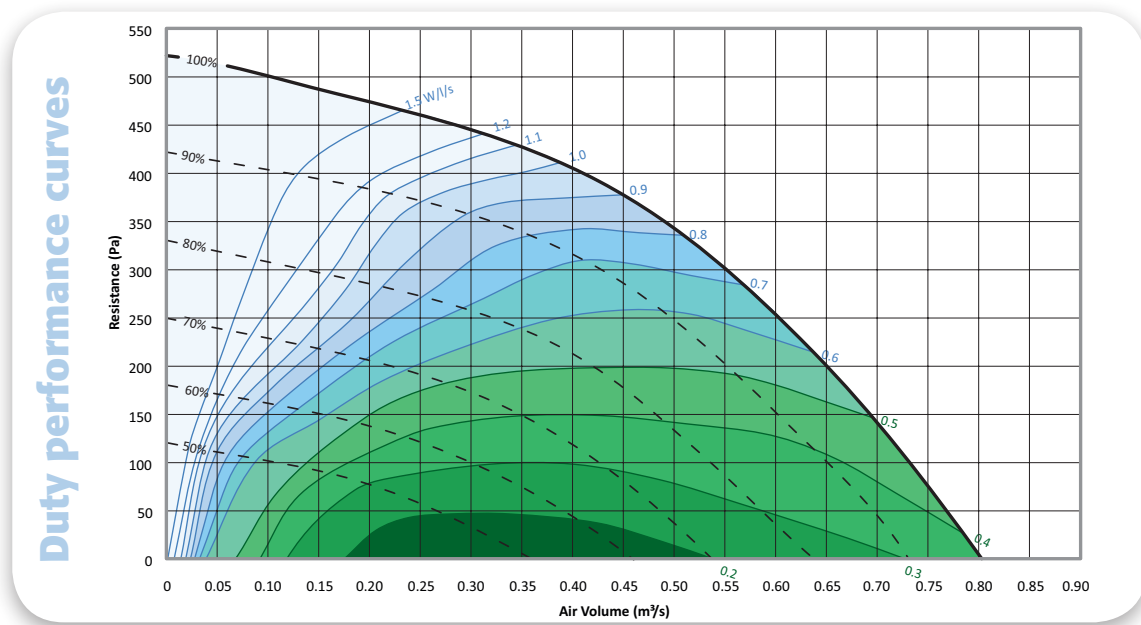
Colourfan Extract Acoustic

Selection data

Unit size 5 CAE0545-1

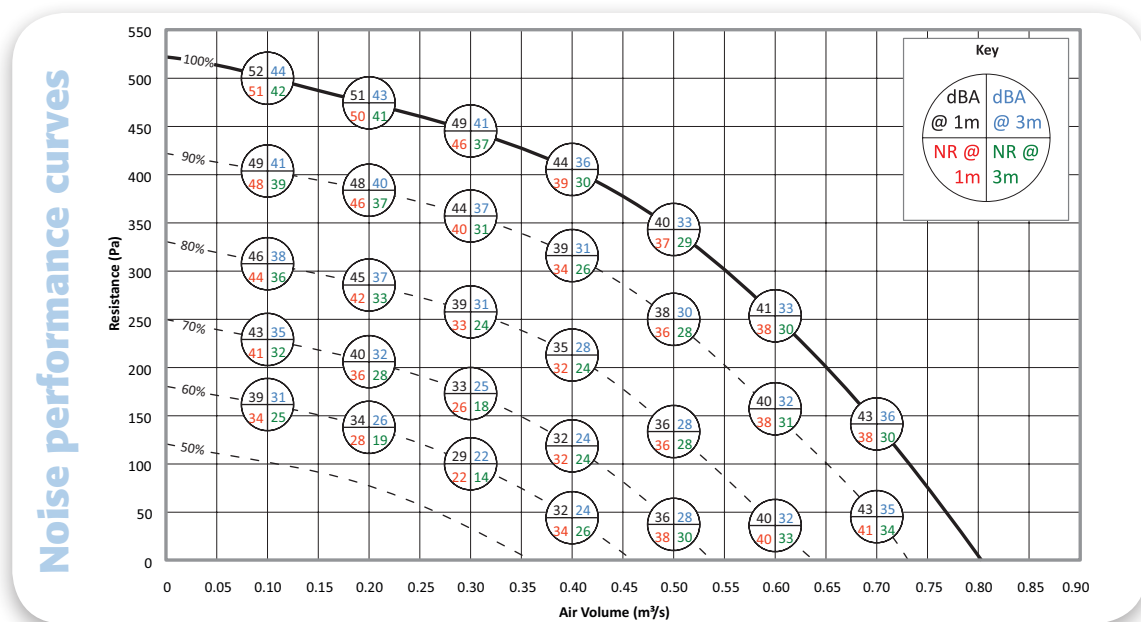
Performance

Size	Phase	Motor Size	Voltage	Fan Speed	Motor Full Load Current	Speed Control
CAE0545-1	1 Phase	0.4 kW	230 VAC	2010 rpm	1.5 A	EC



$$\text{SFP} = \frac{\text{Electrical input power (Watts)}}{\text{Air volume flow rate (litres/second)}}$$

Notes: SFP figures quoted at voltages tested in accordance with BS EN ISO 5801:2017.



Note: NR levels are dependent upon environmental conditions.

Tolerances:
 On flow rates: $\pm 1.5\%$
 On acoustic power and pressure: Levels: $\pm 0.3\text{dB}$
 By octave band: $\pm 0.5\text{dB}$

Note: Data for design guidance only. Detailed information is available upon request.

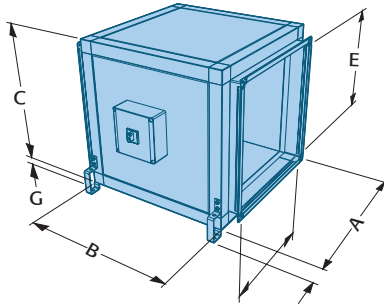
Premium efficiency extract units

Configuration and handling

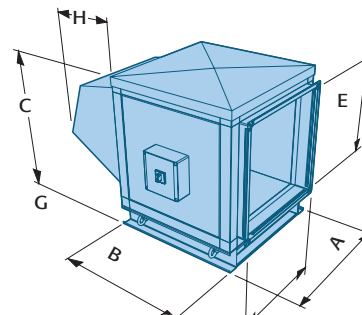
CAE0545-1 / **P** **W** / EE / **LT** **RB** / ISC
RT **LB**

Unit configuration

P Plantroom



W Weatherproof



Unit type	Dimensions (mm)								Weight (kg)	Configuration options					
	A	B	C	D	E	F	G	H		LT	LB	RT	RB	L	R
CAE5 Plantroom extract	650	650	650	550	550	50	25		60	✓	✓	✓	✓		
CAE5 Weatherproof extract	650	650	775	550	550			250	80					✓	✓

Noise and silencer data

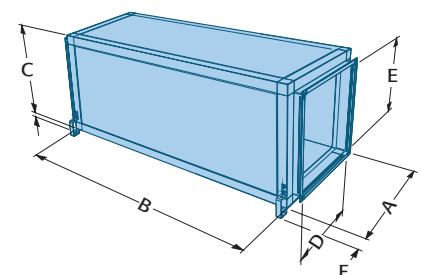
Fan voltage	Fan speed (RPM)	Sound spectrum dB re 10 ⁻¹² w PWL centre frequency (Hz)								Casting noise breakdown							
		63	125	250	500	1k	2k	4k	8k	NR @ 1m	NR @ 3m	dBA @ 1m	dBA @ 3m				
100%	2010	70	62	56	51	44	46	41	44	38	30	41	33				
90%	1809	68	61	52	48	40	43	38	42	36	28	38	30				
80%	1608	66	59	49	45	36	40	34	38	32	24	35	28				
70%	1407	63	56	46	41	33	36	30	35	29	21	32	24				
60%	1206	64	56	44	38	28	31	26	23	24	15	30	23				
Centre frequency		63		125		250		500		1k		2k		4k		8k	
Case insertion loss		-3		-5		-14		-19		-26		-22		-22		-15	

Note: Independently acoustically tested to BS EN ISO 3744:2010.

Silencer option	Sound spectrum dB re 10 ⁻¹² w PWL centre frequency (Hz)							
	63	125	250	500	1k	2k	4k	8k
CAEVA0500/1200	63	125	250	500	1k	2k	4k	8k
Induct loss	-6	-8	-12	-19	-28	-30	-24	-21
Dimensions (mm)	A	B	C	D	E	F	G	Weight (kg)
Plantroom CAEVA0500/1200/STD	650	1300	650	550	550	50	25	95
Weatherproof CAEVA0500/1200/W/STD	650	1300	775	550	550			115

Note: The silencer will add a maximum of 25 Pa to the external resistance.

Silencer



SIZE 5 - CAE0545-1

Note: Data for design guidance only. Detailed information is available upon request.

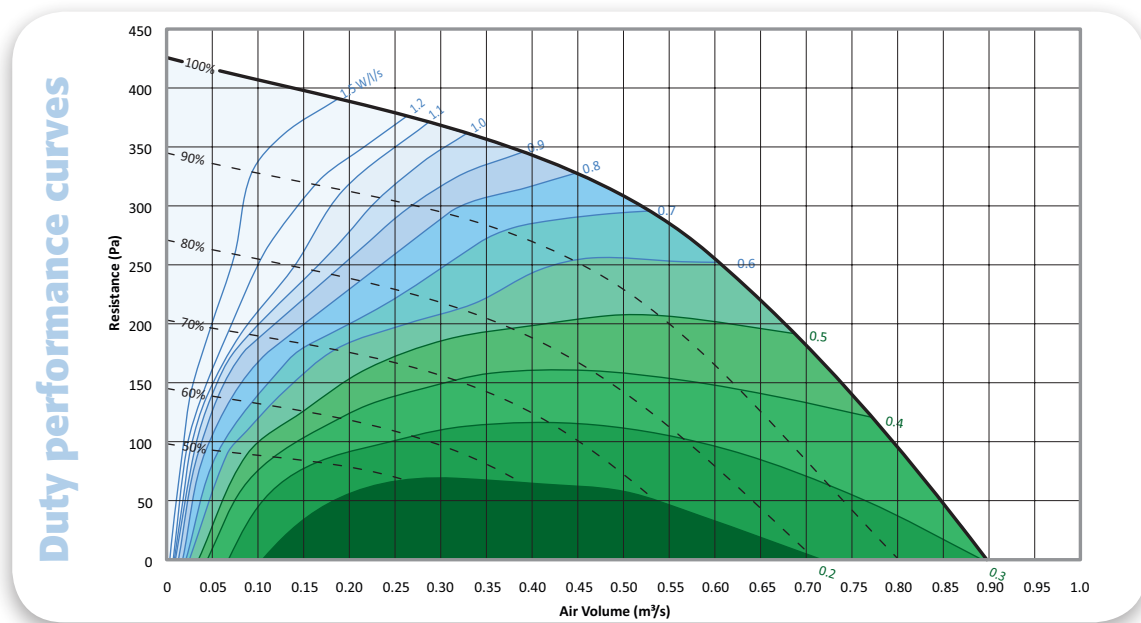
Colourfan Extract Acoustic

Selection data

Unit size 6 CAE0646-1

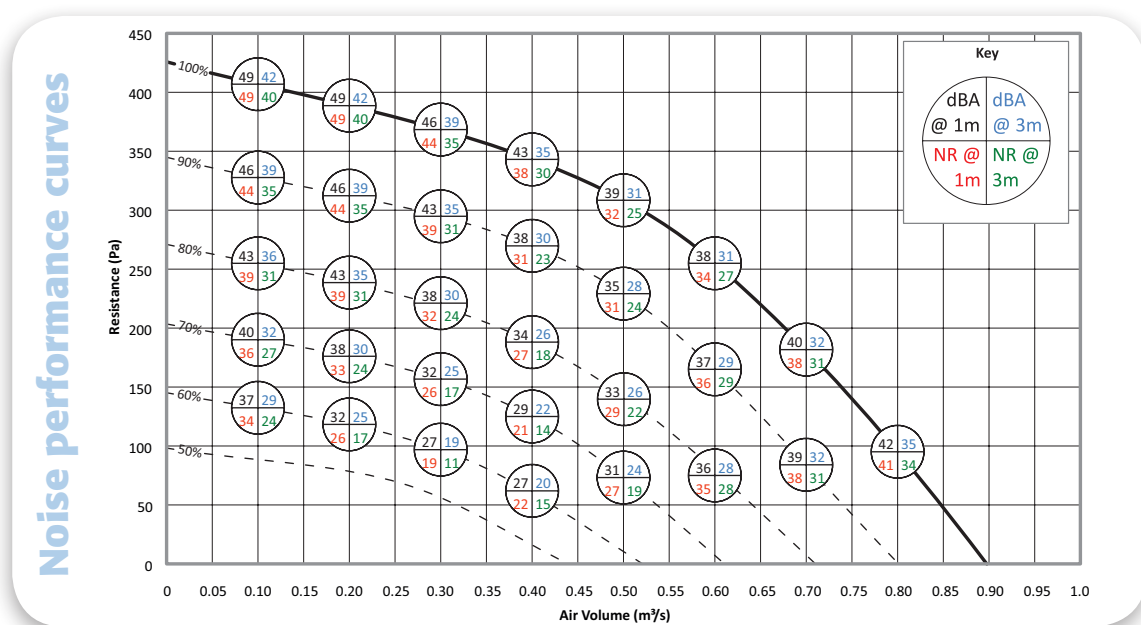
Performance

Size	Phase	Motor Size	Voltage	Fan Speed	Motor Full Load Current	Speed Control
CAE0646-1	1 Phase	0.32 kW	230 VAC	2270 rpm	1.2 A	EC



$$\text{SFP} = \frac{\text{Electrical input power (Watts)}}{\text{Air volume flow rate (litres/second)}}$$

Notes: SFP figures quoted at voltages tested in accordance with BS EN ISO 5801:2017.



Note: NR levels are dependent upon environmental conditions.

Tolerances:
 On flow rates: $\pm 1.5\%$
 On acoustic power and pressure: Levels: $\pm 1.3\text{dB}$
 By octave band: $\pm 1.5\text{dB}$

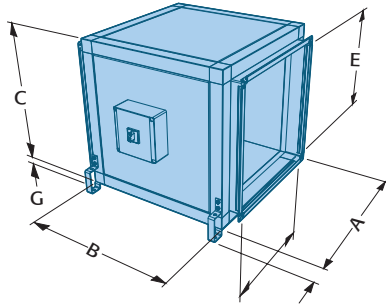
Premium efficiency extract units

Configuration and handling

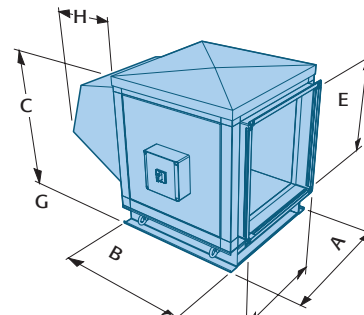
CAE0646-1 / **P** **W** / EE / **LT** **RB** / ISC
RT **LB**

Unit configuration

P Plantroom



W Weatherproof



Unit type	Dimensions (mm)								Weight (kg)	Configuration options					
	A	B	C	D	E	F	G	H		LT	LB	RT	RB	L	R
CAE6 Plantroom extract	730	730	730	630	630	75	25		75	✓	✓	✓	✓		
CAE6 Weatherproof extract	730	730	855	630	630			250	95					✓	✓

Noise and silencer data

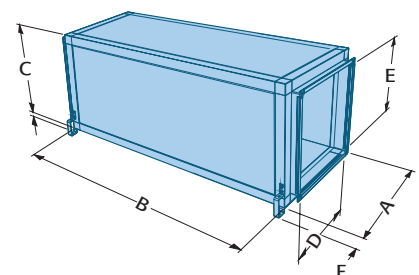
Fan voltage	Fan speed (RPM)	Sound spectrum dB re 10 ⁻¹² w PWL centre frequency (Hz)								Casting noise breakdown			
		63	125	250	500	1k	2k	4k	8k	NR @ 1m	NR @ 3m	dBA @ 1m	dBA @ 3m
100%	1590	69	64	53	49	41	42	36	43	36	29	39	31
90%	1431	66	60	50	46	38	39	33	40	33	26	36	28
80%	1272	64	58	47	42	34	36	31	32	26	18	32	25
70%	1113	63	54	45	39	30	32	29	23	21	14	29	22
60%	954	66	54	44	35	27	28	20	14	21	12	29	22
Centre frequency						63	125	250	500	1k	2k	4k	8k
Case insertion loss						-3	-5	-14	-19	-26	-22	-22	-15

Note: Independently acoustically tested to BS EN ISO 3744:2010.

Silencer option	Sound spectrum dB re 10 ⁻¹² w PWL centre frequency (Hz)							
	63	125	250	500	1k	2k	4k	8k
CAEVA0600/1200	63	125	250	500	1k	2k	4k	8k
Induct loss	-6	-8	-12	-19	-28	-30	-24	-21
Dimensions (mm)	A	B	C	D	E	F	G	Weight (kg)
Plantroom CAEVA0600/1200/STD	730	1300	730	630	630	75	25	105
Weatherproof CAEVA0600/1200/W/STD	730	1300	855	630	630			130

Note: The silencer will add a maximum of 24 Pa to the external resistance.

Silencer



Note: Data for design guidance only. Detailed information is available upon request.

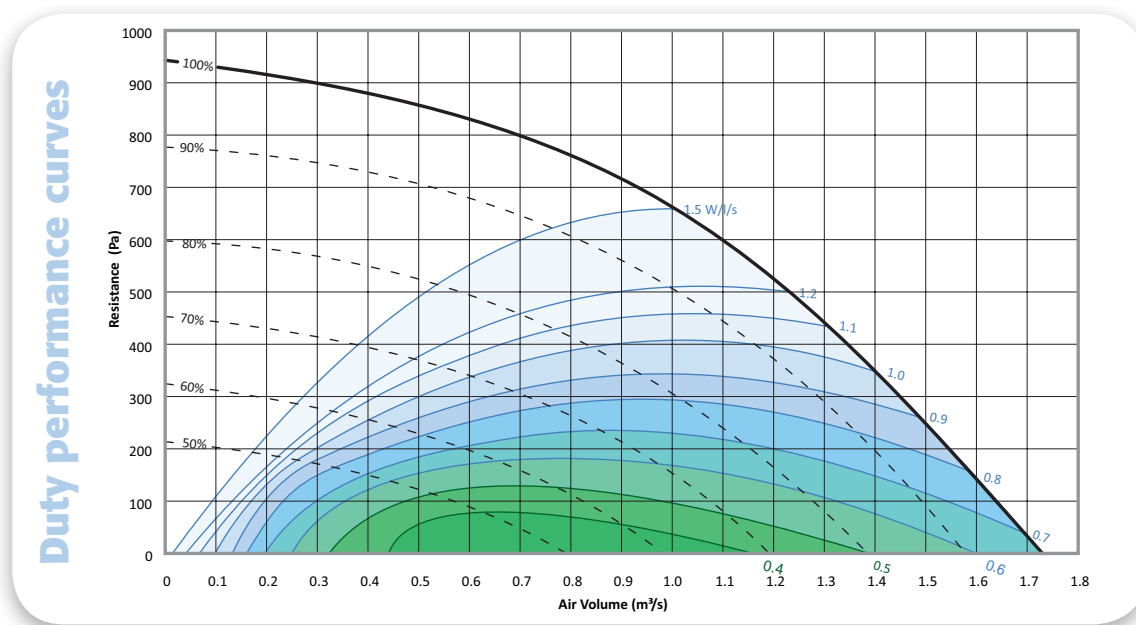
Colourfan Extract Acoustic

Selection data

Unit size 7 CAE0747-3

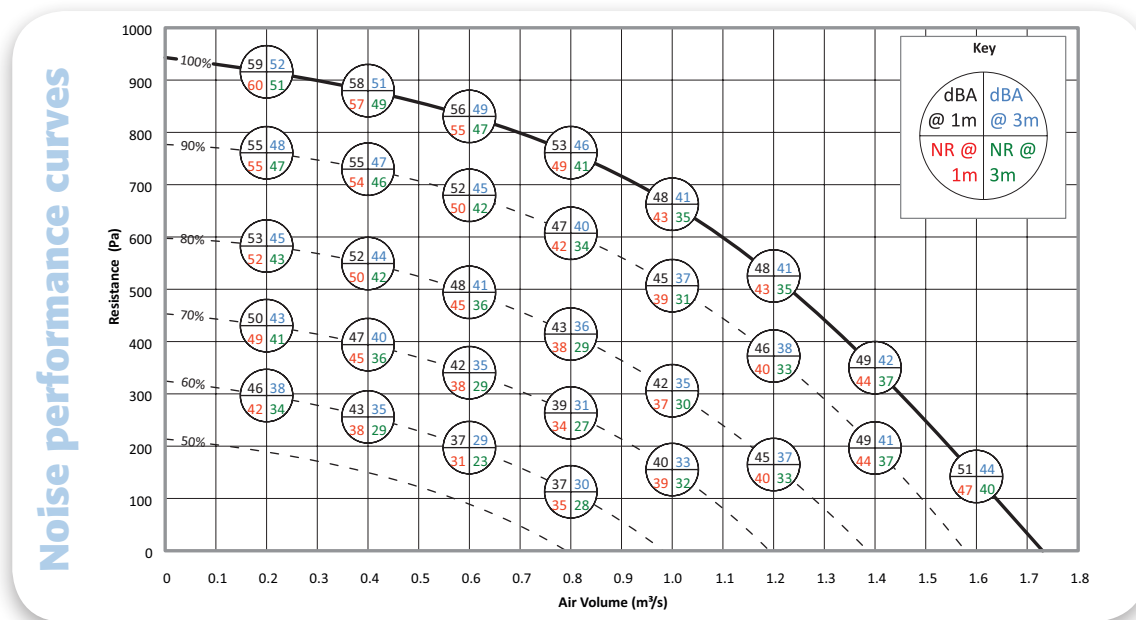
Performance

Size	Phase	Motor Size	Voltage	Fan Speed	Motor Full Load Current	Speed Control
CAE0747-3	3 Phase	1.4 kW	400 VAC	2100 rpm	1.9 A	EC



$$\text{SFP} = \frac{\text{Electrical input power (Watts)}}{\text{Air volume flow rate (litres/second)}}$$

Notes: SFP figures quoted at voltages tested in accordance with BS EN ISO 5801:2017.



Note: NR levels are dependent upon environmental conditions.

Tolerances:
 On flow rates: ±.5%
 On acoustic power and pressure: Levels: ±.3dB
 By octave band: ±.5dB

Note: Data for design guidance only. Detailed information is available upon request.

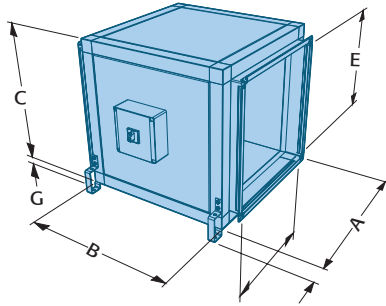
Premium efficiency extract units

Configuration and handling

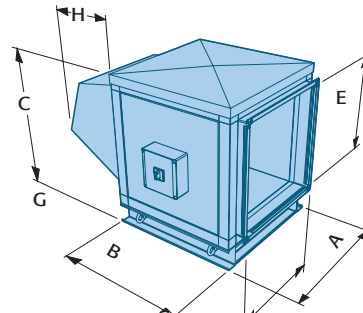
CAE0747-3 / **P** **W** / EE / **LT** **RB** / ISC
RT **LB**

Unit configuration

P Plantroom



W Weatherproof



Unit type	Dimensions (mm)								Weight (kg)	Configuration options					
	A	B	C	D	E	F	G	H		LT	LB	RT	RB	L	R
CAE7 Plantroom extract	820	820	820	720	720	75	25		90	✓	✓	✓	✓		
CAE7 Weatherproof extract	820	820	945	720	720			350	115					✓	✓

Noise and silencer data

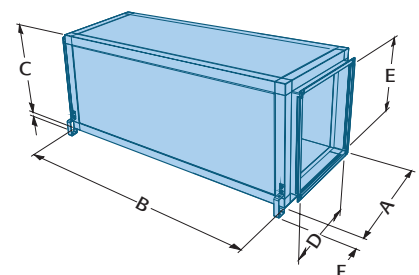
Fan voltage	Fan speed (RPM)	Sound spectrum dB re 10 ⁻¹² w PWL centre frequency (Hz)								Casting noise breakdown			
		63	125	250	500	1k	2k	4k	8k	NR @ 1m	NR @ 3m	dBA @ 1m	dBA @ 3m
100%	2100	76	69	65	60	52	52	46	47	42	35	47	40
90%	1890	74	68	63	57	49	48	44	45	40	32	46	39
80%	1680	72	67	58	54	46	44	40	43	36	29	42	35
70%	1470	70	65	55	49	41	40	36	40	33	26	39	32
60%	1260	71	64	54	46	37	37	32	34	32	24	38	30
Centre frequency		63	125	250	500	1k	2k	4k	8k				
Case insertion loss		-3	-5	-14	-19	-26	-22	-22	-15				

Note: Independently acoustically tested to BS EN ISO 3744:2010.

Silencer option	Sound spectrum dB re 10 ⁻¹² w PWL centre frequency (Hz)							
	63	125	250	500	1k	2k	4k	8k
CAEVA0700/1200								
Induct loss	-6	-8	-12	-19	-28	-30	-24	-21
Dimensions (mm)	A	B	C	D	E	F	G	Weight (kg)
Plantroom CAEVA0700/1200/STD	820	1300	820	720	720	75	25	125
Weatherproof CAEVA0700/1200/W/STD	820	1300	945	720	720			150

Note: The silencer will add a maximum of 30 Pa to the external resistance.

Silencer



Note: Data for design guidance only. Detailed information is available upon request.

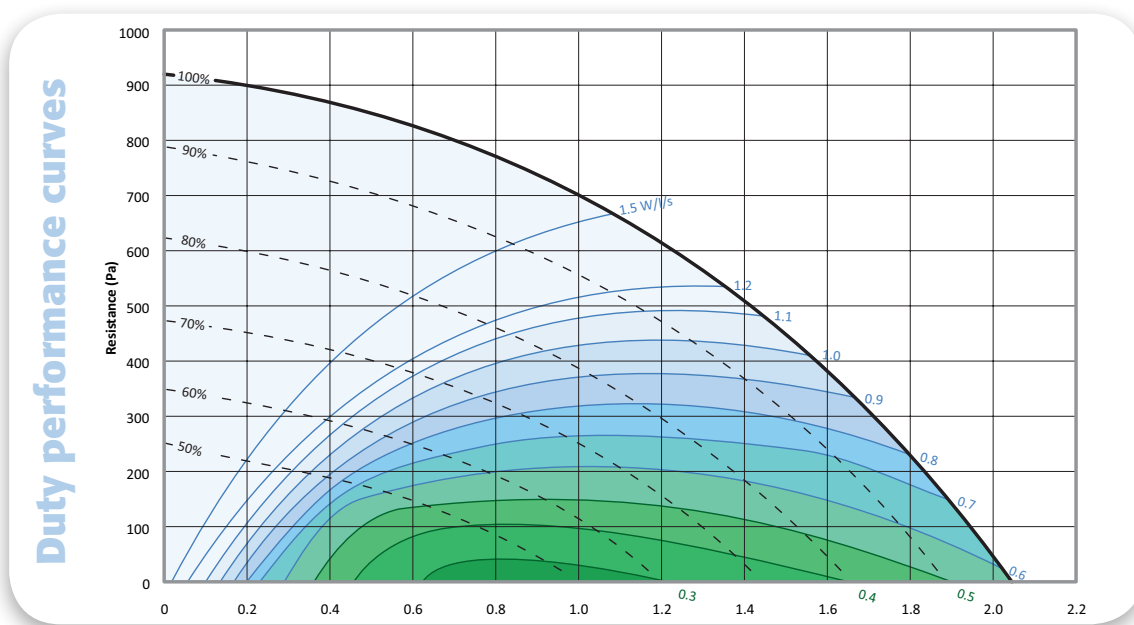
Colourfan Extract Acoustic

Selection data

Unit size 8 CAE0848-3

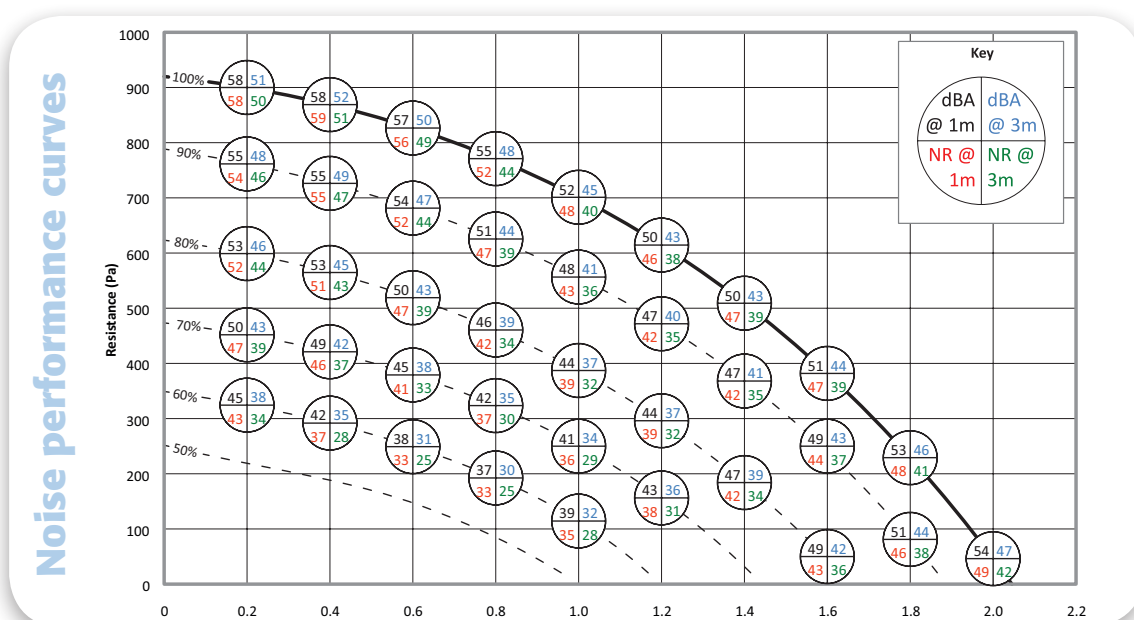
Performance

Size	Phase	Motor Size	Voltage	Fan Speed	Motor Full Load Current	Speed Control
CAE0848-3	3 Phase	1.45 kW	400 VAC	1800 rpm	2 A	EC



$$\text{SFP} = \frac{\text{Electrical input power (Watts)}}{\text{Air volume flow rate (litres/second)}}$$

Notes: SFP figures quoted at voltages tested in accordance with BS EN ISO 5801:2017.



Note: NR levels are dependent upon environmental conditions.

Tolerances:
 On flow rates: +/-5%
 On acoustic power and pressure: Levels: +/-0.3dB
 By octave band: +/-0.5dB

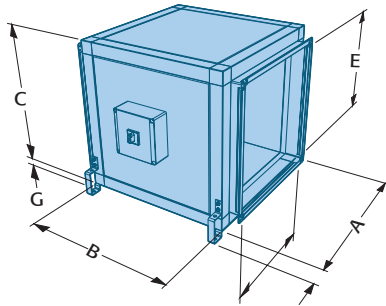
Premium efficiency extract units

Configuration and handling

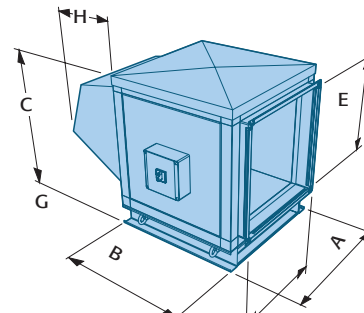
CAE0848-3 / **P** **W** / EE / **LT** **RB** / ISC
RT **LB**

Unit configuration

P Plantroom



W Weatherproof



Unit type	Dimensions (mm)								Weight (kg)	Configuration options					
	A	B	C	D	E	F	G	H		LT	LB	RT	RB	L	R
CAE8 Plantroom extract	910	910	910	810	810	75	25		115	✓	✓	✓	✓		
CAE8 Weatherproof extract	910	910	1035	810	810			300	145					✓	✓

Noise and silencer data

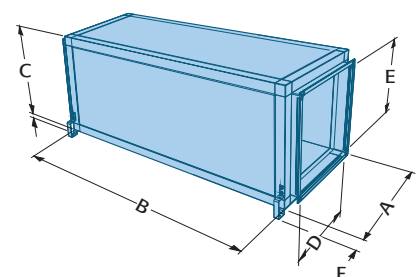
Fan voltage	Fan speed (RPM)	Sound spectrum dB re 10 ⁻¹² w PWL centre frequency (Hz)								Casting noise breakdown			
		63	125	250	500	1k	2k	4k	8k	NR @ 1m	NR @ 3m	dBA @ 1m	dBA @ 3m
100%	1800	78	74	70	62	53	50	45	46	47	39	50	43
90%	1620	76	73	66	59	50	46	41	44	42	35	47	40
80%	1440	75	70	63	55	45	42	37	42	39	32	44	37
70%	1260	74	67	60	51	41	39	34	37	36	29	41	34
60%	1080	71	61	57	44	34	35	29	25	33	25	37	30
Centre frequency		63	125	250	500	1k	2k	4k	8k				
Case insertion loss						-3	-5	-14	-19	-26	-22	-22	-15

Note: Independently acoustically tested to BS EN ISO 3744:2010.

Silencer option	Sound spectrum dB re 10 ⁻¹² w PWL centre frequency (Hz)							
	63	125	250	500	1k	2k	4k	8k
CAEVA0800/1200								
Induct loss	-6	-8	-12	-19	-28	-30	-24	-21
Dimensions (mm)	A	B	C	D	E	F	G	Weight (kg)
Plantroom CAEVA0800/1200/STD	910	1300	910	810	810	75	25	140
Weatherproof CAEVA0800/1200/W/STD	910	1300	1035	810	810			165

Note: The silencer will add a maximum of 32 Pa to the external resistance.

Silencer



SIZE 8 CAE0848-3

Note: Data for design guidance only. Detailed information is available upon request.

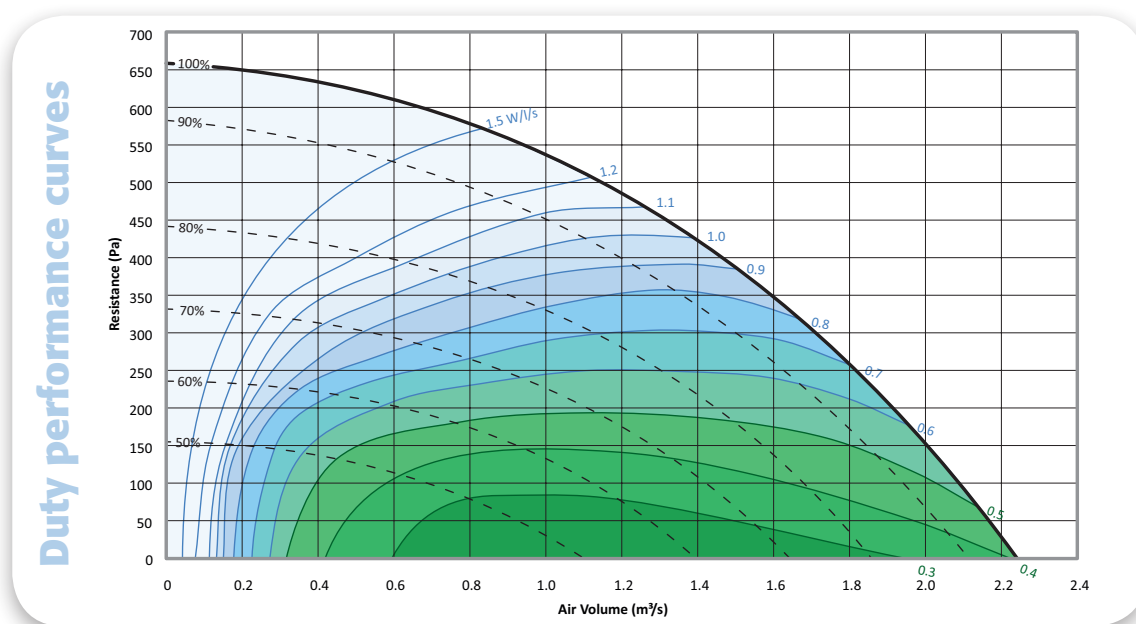
Colourfan Extract Acoustic

Selection data

Unit size 9 CAE0949-3

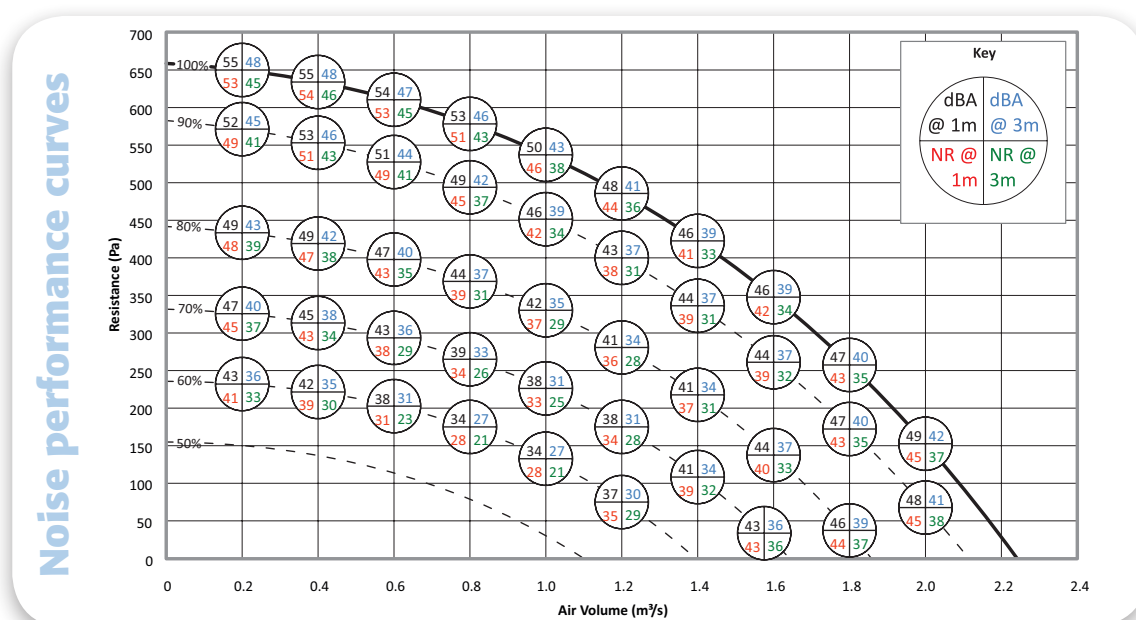
Performance

Size	Phase	Motor Size	Voltage	Fan Speed	Motor Full Load Current	Speed Control
CAE0949-3	3 Phase	1.25 kW	400 VAC	1400 rpm	1.65 A	EC



$$\text{SFP} = \frac{\text{Electrical input power (Watts)}}{\text{Air volume flow rate (litres/second)}}$$

Notes: SFP figures quoted at voltages tested in accordance with BS EN ISO 5801:2017.



Note: NR levels are dependent upon environmental conditions.

Tolerances:
 On flow rates: ±1.5%
 On acoustic power and pressure: Levels: ±1.3dB
 By octave band: ±1.5dB

Note: Data for design guidance only. Detailed information is available upon request.

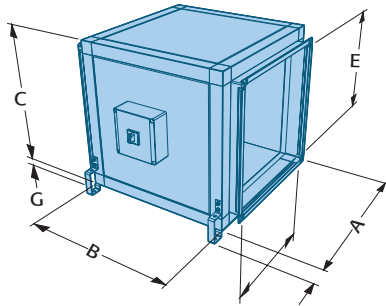
Premium efficiency extract units

Configuration and handling

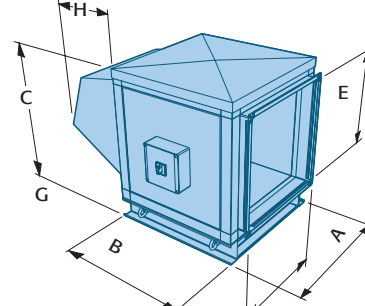
CAE0949-3 / **P** **W** / EE / **LT** **RB** / ISC
RT **LB**

Unit configuration

P Plantroom



W Weatherproof



Unit type	Dimensions (mm)								Weight (kg)	Configuration options					
	A	B	C	D	E	F	G	H		LT	LB	RT	RB	L	R
CAE9 Plantroom extract	1000	1000	1000	900	900	75	25		140	✓	✓	✓	✓		
CAE9 Weatherproof extract	1000	1000	1125	900	900			300	175					✓	✓

Noise and silencer data

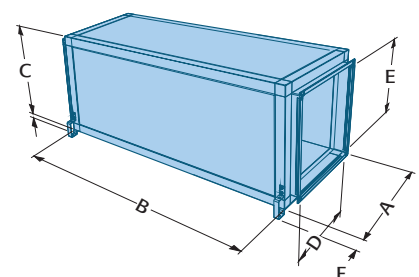
Fan voltage	Fan speed (RPM)	Sound spectrum dB re 10 ⁻¹² w PWL centre frequency (Hz)								Casting noise breakdown			
		63	125	250	500	1k	2k	4k	8k	NR @ 1m	NR @ 3m	dBA @ 1m	dBA @ 3m
100%	1400	73	74	65	59	49	46	42	48	43	35	47	40
90%	1260	71	72	63	57	47	44	41	48	41	33	45	38
80%	1120	71	68	60	52	41	40	34	45	37	31	41	34
70%	980	68	65	57	49	37	38	30	42	34	28	38	31
60%	840	71	61	53	44	33	34	25	23	28	21	35	28
Centre frequency		63	125	250	500	1k	2k	4k	8k				
Case insertion loss						-3	-5	-14	-19	-26	-22	-22	-15

Note: Independently acoustically tested to BS EN ISO 3744:2010.

Silencer option	Sound spectrum dB re 10 ⁻¹² w PWL centre frequency (Hz)							
	63	125	250	500	1k	2k	4k	8k
CAEVA0900/1200								
Induct loss	-6	-8	-12	-19	-28	-30	-24	-21
Dimensions (mm)	A	B	C	D	E	F	G	Weight (kg)
Plantroom CAEVA0900/1200/STD	1000	1600	1000	900	900	75	25	190
Weatherproof CAEVA0900/1200/W/STD	1000	1600	1125	900	900			230

Note: The silencer will add a maximum of 33 Pa to the external resistance.

Silencer



SIZE 9 CAE0949-3

Note: Data for design guidance only. Detailed information is available upon request.

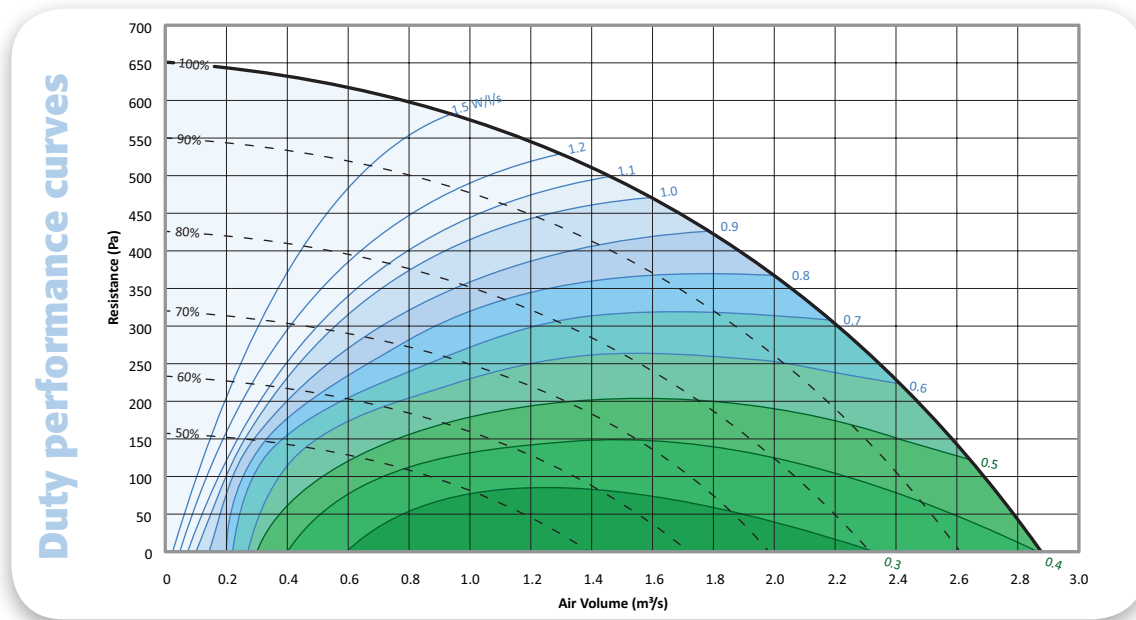
Colourfan Extract Acoustic

Selection data

Unit size 10 CAE10410-3

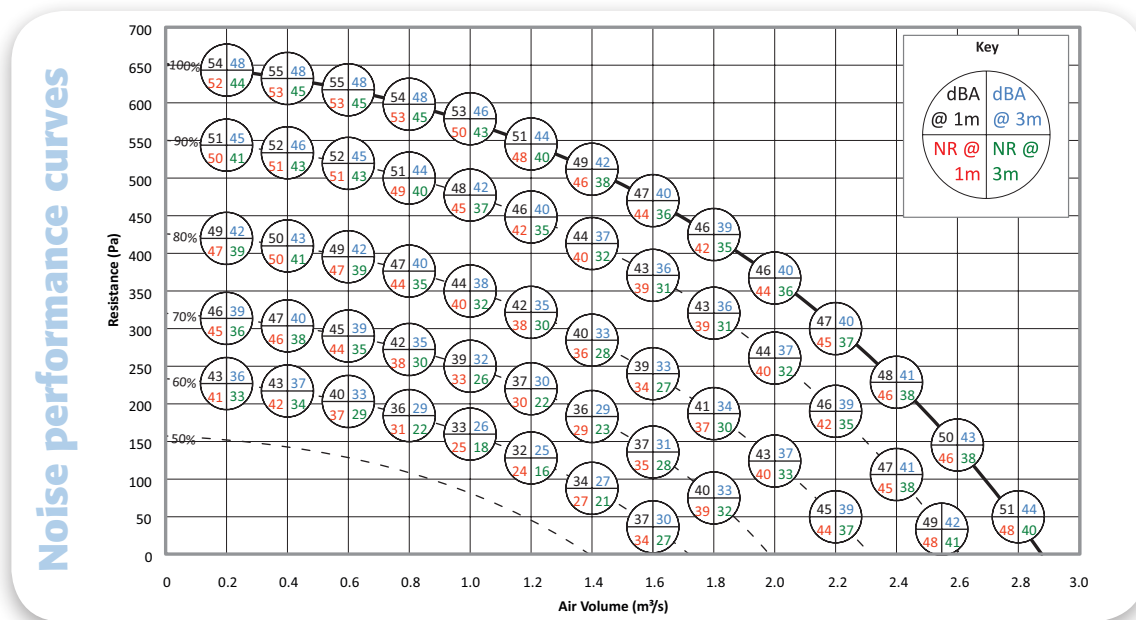
Performance

Size	Phase	Motor Size	Voltage	Fan Speed	Motor Full Load Current	Speed Control
CAE10410-3	3 Phase	1.5 kW	400 VAC	1230 rpm	2.1 A	EC



$$\text{SFP} = \frac{\text{Electrical input power (Watts)}}{\text{Air volume flow rate (litres/second)}}$$

Notes: SFP figures quoted at voltages tested in accordance with BS EN ISO 5801:2017.



Note: NR levels are dependent upon environmental conditions.

Tolerances:
 On flow rates: ±0.5%
 On acoustic power and pressure: Levels: ±0.3dB
 By octave band: ±0.5dB

Note: Data for design guidance only. Detailed information is available upon request.

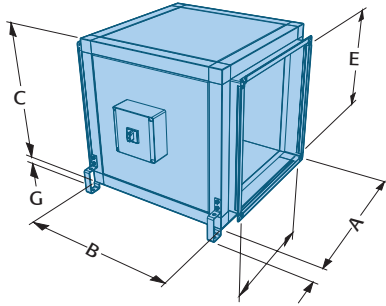
Premium efficiency extract units

Configuration and handling

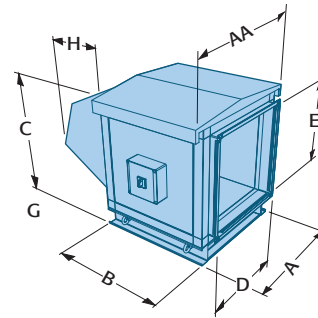
Unit configuration

CAE10410-3/ **P** **W** / EE / **LT** **RB** / ISC
RT **LB**

P Plantroom



W Weatherproof



Unit type	Dimensions (mm)									Weight (kg)	Configuration options					
	A	AA	B	C	D	E	F	G	H		LT	LB	RT	RB	L	R
CAE10 Plantroom extract	1100		1100	1100	1000	1000	75	25		160	✓	✓	✓	✓		
CAE10 Weatherproof extract	1100	1250	1100	1275	1000	1000			350	210					✓	✓

Noise and silencer data

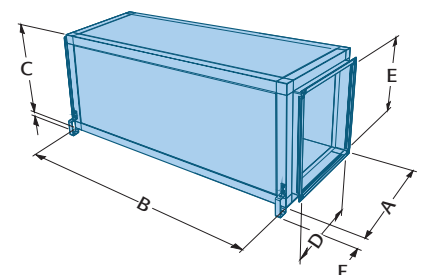
Fan voltage	Fan speed (RPM)	Sound spectrum dB re 10 ⁻¹² w PWL centre frequency (Hz)								Casting noise breakdown			
		63	125	250	500	1k	2k	4k	8k	NR @ 1m	NR @ 3m	dBA @ 1m	dBA @ 3m
100%	1230	74	76	64	58	47	44	39	48	45	37	47	40
90%	1107	72	71	61	54	43	40	35	47	39	32	43	36
80%	984	71	68	58	50	40	38	32	44	36	29	40	33
70%	861	71	62	54	46	36	35	32	36	29	22	36	29
60%	738	68	58	49	41	32	30	30	24	24	16	32	25
Centre frequency		63	125	250	500	1k	2k	4k	8k				
Case insertion loss		-3	-5	-14	-19	-26	-22	-22	-15				

Note: Independently acoustically tested to BS EN ISO 3744:2010.

Silencer option	Sound spectrum dB re 10 ⁻¹² w PWL centre frequency (Hz)								Weight (kg)
	63	125	250	500	1k	2k	4k	8k	
CAEVA1000/1200	63	125	250	500	1k	2k	4k	8k	
Induct loss	-6	-8	-12	-19	-28	-30	-24	-21	
Dimensions (mm)	A	AA	B	C	D	E	F	G	
Plantroom CAEVA1000/1200/STD	1100		1600	1100	1000	1000	75	25	220
Weatherproof CAEVA1000/1200/W/STD	1100	1250	1600	1275	1000	1100			260

Note: The silencer will add a maximum of 26 Pa to the external resistance.

Silencer



Note: Data for design guidance only. Detailed information is available upon request.

Colourfan *Extract Acoustic*

Control packages for performance and efficiency



Save energy and costs with BlueSense controls

Demand ventilation solutions

BlueSense philosophy combines intelligent control technologies with energy saving products, services and engineering expertise. BlueSense helps meet energy reduction commitments by optimising equipment performance, improving energy efficiency, saving money and increasing equipment life expectancy.

BlueSense can be applied to a variety of projects and applications, providing efficient solutions whilst supporting design for best practice and sustainability.



BlueSense features

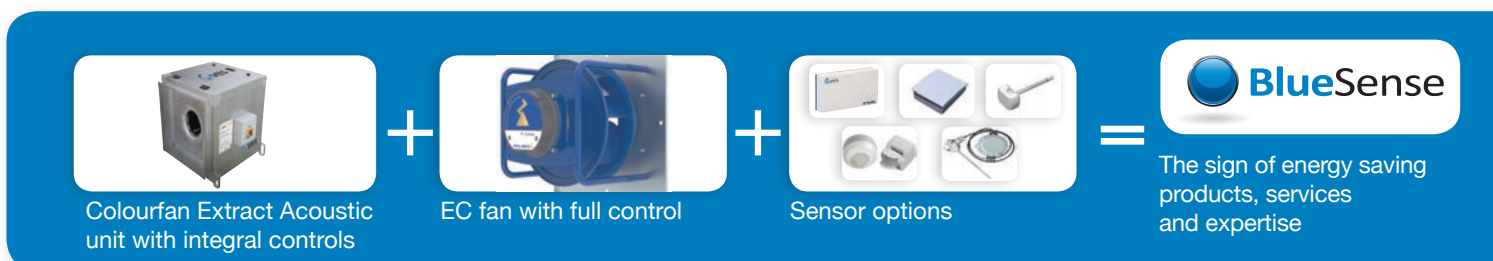
- ▶ Inbuilt intelligent controls technology
- ▶ Optimises performance and efficiency
- ▶ Demand ventilation control improves air quality, reducing energy consumption and lowering operating costs
- ▶ Combined CO₂ and VOC sensing technology with energy efficient speed control
- ▶ Extending equipment life expectancy and reducing maintenance
- ▶ Short term payback on capital expenditure
- ▶ Extended warranty

 Prewired/Fitted Controls	 Demand Ventilation	 Case Construction	 Filters	 Air Quality	 Thyristor Heater
 Energy Efficient Fans	 Speed Control	 Plug & Play	 Humidity	 Temperature	 Heat Recovery

T-line 120 BlueSense

All products in the Ecovent range can form part of a BlueSense energy saving package. Specify BlueSense to ensure units are optimised with pre-wired controls, energy efficient speed controller and air quality sensor. All of these work in unison, reducing energy consumption and saving money.

A BlueSense Example



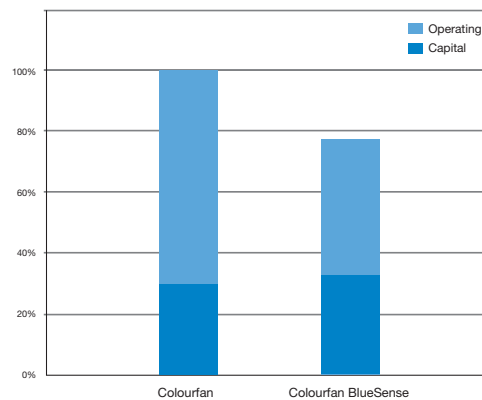
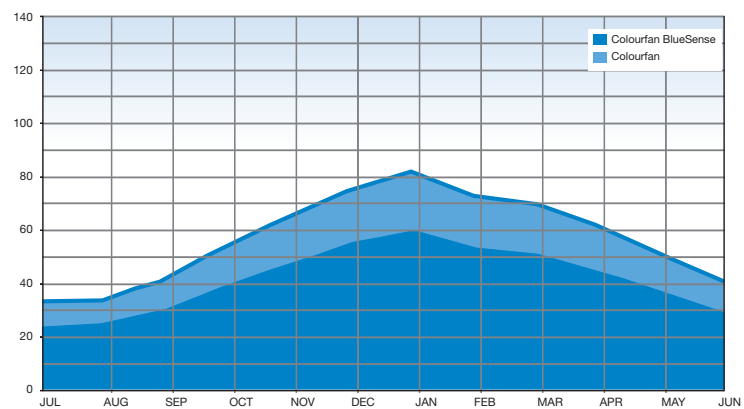
Premium efficiency extract units

BlueSense energy savings

Energy comparisons for the Colourfan range illustrate how they reduce energy demands whilst improving the environment and saving money.

Energy chart life cycle costs

The example below is a typical office building, with an occupancy variation that results in an average 40% reduction in airflow requirement for 40% of the working day. The ventilation system operates from 8am till 6pm Monday to Friday, with a ventilation rate of 0.2m³/s at 100 Pa.



The heating requirement has been based upon the UK heating profile for an air temperature setpoint of 18.5°C, the same heater size has been used for all comparisons.

Conclusion

Combining VES products with BlueSense technology will reduce the impact to the environment, minimise overall life cycle costs and payback period.

VES is experienced at discussing energy requirements with clients, our knowledge and technology can help to identify areas where savings can be made. VES can provide assistance for both new and existing buildings.

Colourfan *Extract Acoustic*

BlueSense energy savings

VES designs and manufactures all controls systems entirely in-house, this advantage ensures that the most efficient, lowest cost, highest quality packages are available.

The Colourfan supply unit with integrated controls can work seamlessly with any Colourfan Extract. This provides fully protected motor and control signals that can be wired directly to the isolator on the extract unit, reducing the need for any other control requirements and easing site installation.



Air quality sensor

Features

- ▶ Single or three phase, extract fan control
- ▶ BlueSense energy saving package for demand ventilation control, complete with fully integrated pre-wired isolator, energy efficient speed control and air quality sensor.

Bespoke solutions

As well as offering a wide range of standard Ecovent units VES are able to build bespoke versions for special applications and requirements.

Units can be adapted for higher specifications to address challenging locations and applications. Our experience with controls also enables high levels of integration with Building Management Systems or existing solutions, as well as matching to niche applications.

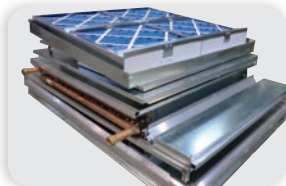
With VES you really get the full package without needing to mix and match suppliers.

Bespoke options

- ▶ Acoustic options for noise sensitive applications
- ▶ EC Plug fans for duties above 1.3 m³/s
- ▶ Controls integration into new and existing building management systems
- ▶ Aesthetic requirements and paint colour finishes
- ▶ Saline environment protection
- ▶ Cooling coils
- ▶ Specialist filtration applications i.e carbon, grease, HEPA
- ▶ Flatpack and site assistance

Specialist Site Services

VES operates a Specialist Site Services division, which is a market leader in the repair and refurbishment of any make or model of air handling equipment.



Flatpacking

- ▶ To suit difficult access locations
- ▶ Saves craneage costs
- ▶ No need for road closures
- ▶ Reduced manual handling risks



Post Installation Commissioning

VES technical engineers can ensure the unit has been installed and set up correctly. Also, VES can check all control wiring, set the unit running and measure air volumes (if suitable traverse point is available).



Spares and Maintenance

VES holds stock, or can source parts for all VES and other manufacturers products. A reminder service and regular user discount are available. VES offers varied maintenance agreements to suit location and budget.

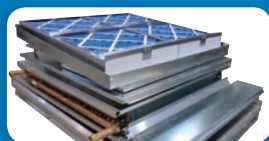


Energy Saving Solutions for Kitchens

VES can manufacture special Ecovent-K's, complete with grease filters, designed specifically for kitchens.



Ecovent-K



Site Assistance By Specialist Site Services

VES has an accomplished Site Services division. Ecovent units can be delivered in flat pack form and re-assembled "in situ" in restricted and difficult locations.

Product specification

Colourfan® *Extract Acoustic*

1.1. General

- A. Provide an extract fan unit to meet the performance and configuration as indicated in the schedule and detail drawings. The extract fan unit shall be tested in accordance with BS EN ISO 5801:2017 and shall be of the Colourfan type as manufactured by VES Andover Ltd a company accredited with BS EN ISO 9001:2015.

1.2. Unit onstruction

- A. The unit shall be provided pre-assembled comprising of a rigidly constructed case, centrifugal backward curved fan with direct drive motor and rectangular spigots.
- B. The unit shall be supplied pre-wired to an external isolator.
- C. The unit shall be available in plantroom or weatherproof construction as indicated in the schedule and detail drawings.
- D. Sizes 0-10 shall have rectangular duct spigots complete with a flange as indicated in the schedule and detail drawings.
- E. Weatherproof units shall be offered with an exhaust cowl or spigot, finished to match the unit casework.
- F. The unit casework shall incorporate high quality rubber gasket seals on service doors and panels.
- G. Sizes 0-10 shall be provided pre-assembled comprising of a rigidly constructed 50mm tubular aluminium case, double skinned galvanised sheet steel panels.
- H. Access for maintenance shall be via hinged panels, allowing access for the clearing or removal of internal components as indicated in the schedule and detail drawings.
- I. Plantroom units shall be suitable for top, side or bottom access as indicated in the schedule and detail drawings. Weatherproof units shall be suitable for side access only.
- J.
 - 1. Sizes 0-3 weatherproof units shall be supplied as standard with mounting feet. Plantroom units shall be available with optional mounting feet as indicated in the schedule.
 - 2. Sizes 4-10 weatherproof units shall be supplied as standard on a galvanised sheet steel channel base, the frame shall be 100mm high.
- K. Plantroom unit casework and spigots shall be supplied naturally finished in high quality galvanised steel as standard.
- L. Weatherproof units shall be supplied powdercoated signal grey RAL7004 as standard. Alternative colour according to schedule.
- M. The unit shall be designed to be secured to a suitable base, wall or ceiling, ensuring the use of correct fixings for the application and taking into account individual unit weight as indicated in the schedule and detail drawings.

1.3. Fans

- A. The fan impellers shall be of PA6 glass-fibre reinforced, backward curved plastic blade construction with galvanised steel mounting plate.
- B. The impellers shall be statically and dynamically balanced to G 2.5 / G 6.3 according to ISO1940 part 1.
- C. The fan impellers shall be mated with aerodynamic bell inlet eyes for high efficiency and low noise generation.
- D. The fan impellers are supplied as standard in natural uncoated finish.

1.4. Motors

- A. The fans shall incorporate external rotor motors to insulation class F, IP44 environmental protection rating and shall be supplied with thermal protection cut-out as standard.
- B. The integrated motor shall be supplied epoxy painted grey to RAL7032.

1.5. Operation environment

Premium efficiency extract units

A. The unit shall be designed to operate with process air temperature -20°C go 40°C, and humidity up to 80%.

1.6. Controls

A. The unit shall be supplied as standard pre-wired to an external isolator.

1.7. Ancillaries

- A. The unit shall be fully compatible with a standard range of spigot mounted silencers. The silencers shall be suitable for direct mounting to the unit as indicated in the schedule.
- B. The silencer shall be a rigidly constructed 50mm tubular aluminium case, double skinned galvanised sheet steel panels incorporating internal splitters lined with resin bonded mineral wool. Polythene and perforated metal sheet lining shall be available where indicated in the schedule.
- C. The silencer casework shall be provided naturally finished in high quality galvanised steel as standard. Internal and external powdercoat available as indicated in the schedule. Colour to be in accordance with schedule.
- D. The plantroom unit shall be fully compatible with loose spigot mounted dampers suitable for direct fitting to the unit.
- E. Dampers shall incorporate an aluminium extruded channel frame and aluminium damper blades, mounted on nylon cogs with nylon bearing inserts. Blade operation shall be via a 12mm sq. spindle mounted to one side of the damper.
- F. Dampers shall be of opposed blade type, incorporating gasket seals between blades and sealed angles on the frame to ensure maximum sealing efficiency when the blades are closed.
- G. Dampers shall be suitable for use with optional 230 VAC or 24 VAC open/close actuator as supplied by VES Andover Ltd.

Download specification from www.ves.co.uk

Product code guide

Colourfan Extract Acoustic					Case construction				Options				Ancillaries examples	
Product	Unit size	Fan type	Fan size	Phase	Unit config	Main heating	Infill	Handling	Main filter	Control panel section	Inlet/outlet	Colour	Name	Part number
CAE	00	5	1	-1	/P	[null]	/EE	/RT	[null]	/ISC	/SP	[null]	Silencer	CAEVA0000/1200/STD
	01	4	1	-1	/W			/RB			/C	/R7004	Feet	NRGEX9000
	02	4	2	-1				/LT						
	03	4	3	-1				/LB						
	04	4	4	-1										
	05	4	5	-1										
	06	4	6	-1										
	07	4	7	-3										
	08	4	8	-3										
	09	4	9	-3										
	10	4	10	-3										

Product CAE = Colourfan Extract Acoustic	Unit config /P=Plantroom /WH=Weatherproof	Main heating [null]=No heating	Infill /EE=50mm	Handling /RT=Right top /RB=Right bottom /LT=Left top /LB=Left bottom	Main filter [null]=No filters	Control panel section /ISC=Isolator and speed control	Inlet/Outlet /SP=Square spigot /C=Cowl	Colour [null]=Galvanised /R=RAL (colours)
--	--	--	---------------------------	---	---	---	---	--

Example codes
Extract CAE 0051-1/P/EE/RB/ISC/SP

Please note: Weatherproof units are supplied in R7004 powdercoating as standard

Other products and services from the complete range of VES HVAC solutions

Air Handling Units

- ▶ Supply and extract, combined or separate
- ▶ Heat recovery including crossflow plate heat exchangers, thermal wheels and run-around coils
- ▶ Plantroom or weatherproof, flat or stacked
- ▶ Fitted silencers, inverters and controls
- ▶ Matching DX condensing units
- ▶ Various case constructions including EN 1886 certified units

Duct Fans

- ▶ In-line centrifugal, with forward or backward curved impellers
- ▶ Round, axial and mixed flow fans
- ▶ Fitted silencers available on all units
- ▶ Manual and automatic speed controllers available

Twin Fans

- ▶ For ceiling void, plantroom and weatherproof
- ▶ Many models and configurations
- ▶ Fitted auto-changeover system

Hybrid Units

- ▶ Natural ventilation enhanced by a low power fan
- ▶ Utilises a combination of automatic mechanical ventilation and manually operated windows to achieve classroom comfort conditions
- ▶ Simple user interface with indication of operating mode
- ▶ Slimline, lightweight construction, saving space and easing installation
- ▶ Available in a range of sizes with the ability to add heating coils when required

Roof Extract Units

- ▶ Three ranges for volume and pressure
- ▶ Curb and soaker sheet bases

Wall and Ceiling Fans

- ▶ All types for commercial, industrial and domestic premises

Kitchen Hood Extract Fans

- ▶ Heavy duty high temperature fans for hot greasy air
- ▶ Motors out of airstream
- ▶ Single inlet fans, in-line and vertical jet roof units

Control Panels

- ▶ Off the shelf and built to order panels
- ▶ Air quality sensors and energy savers
- ▶ Intelligent control software
- ▶ A range of remotes including touch screen

Noise Control

- ▶ Matching silencers available for all ventilation products
- ▶ Silencers designed to meet noise criteria
- ▶ Cleanable silencers
- ▶ Weatherproof silencers

Specialist Site Services

- ▶ Plant refurbishment
- ▶ Energy saving upgrades
- ▶ Noise reduction
- ▶ Site surveys
- ▶ Kitchen ventilation
- ▶ AHU flat pack installation
- ▶ Maintenance
- ▶ Spares



VES Head Office

Eagle Close, Chandlers Ford Industrial Estate, Chandlers Ford, Eastleigh, Hampshire SO53 4NF
Tel: +44 (0)23 8046 1150 Fax: +44 (0)23 8026 1204

ves.co.uk | sales@ves.co.uk

VES reserves the right to amend product specifications and details without notice.